



## INSTRUCTION SHEET

Original Instructions Safety Switch  
**HS1E Series**

(Actuator Tensile Strength  
when Locked 3,000N / 3-circuit)



Thank you for purchasing this IDEC product. Confirm that the delivered product is what you have ordered. Read this instruction sheet to make sure of correct operation.

### SAFETY PRECAUTIONS

In this operation instruction sheet, safety precautions are categorized in order of importance to Warning and Caution :

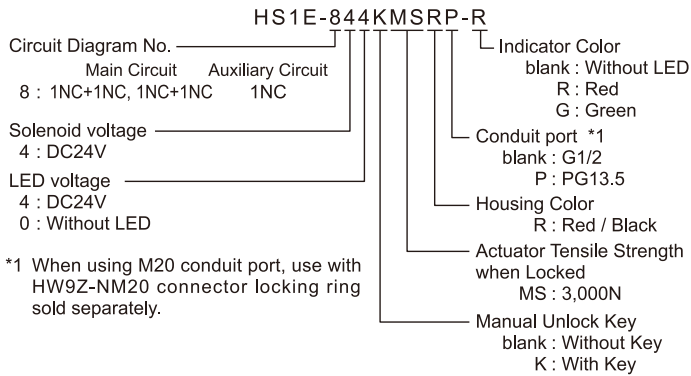
#### WARNING

Warning notices are used to emphasize that improper operation may cause severe personal injury or death.

#### CAUTION

Caution notices are used where inattention might cause personal injury or damage to equipment.

### 1 Type



### 2 Specifications and Ratings

Applicable Standards	EN ISO / ISO14119, EN1088 IEC60947-5-1, EN60947-5-1 GS-ET-19, UL508, CSA C22.2 No.14, GB 14048. 5				
Standards for Use	IEC60204-1 / EN60204-1				
Interlocking device Type / the level of coded	Type 2 Interlocking device / low level coded actuator (EN ISO / ISO14119)				
Applicable Directives	Machinery Directive, Low Voltage Directive				
Operating Condition	Operating Temperature	-20 to +40°C (no freezing)			
	Operating Humidity	45 to 85% (no condensation)			
	Storage Temperature	-40 to +80°C (no freezing)			
	Pollution Degree	3			
	Altitude	2,000m maximum			
Impulse withstand voltage (U <sub>imp</sub> )	4kV (Between ground and LED, solenoid circuit : 2.5kV)				
Rated insulation voltage (U <sub>i</sub> )	300V (Between ground and LED, solenoid circuit : 60V)				
Thermal Current (I <sub>th</sub> )	2.5A				
Contact Ratings (Reference Values) (U <sub>e</sub> , I <sub>e</sub> )	AC	Resistive load (AC-12)	30V	125V	250V
		Inductive load (AC-15)	-	2.5A	1.5A
	DC	Resistive load (DC-12)	2.5A	1.1A	0.55A
		Inductive load (DC-13)	2.3A	0.55A	0.27A
Class of Protection	Class II □ *2				
Operating Frequency	900 operations / hour				
Operating Speed	0.05 to 1.0 m/s				
B10d	2,000,000 (EN ISO 13849-1 Annex C Table C.1)				
Mechanical Durability	1,000,000 operations min. (GS-ET-19)				
Electrical Durability	100,000 operations min. (Rated operating load)				
	1,000,000 operations min. (AC/DC 24V 100mA) (900 operations / hour)				
Shock Resistance	Damage Limits : 1,000m/s <sup>2</sup>				
Vibration Resistance	Operating Extremes : 10 to 55 Hz, half amplitude 0.35mm				
	Damage Limits : 30 Hz, half amplitude 1.5mm				

Actuator Tensile Strength when Locked	Fzh=3,000N minimum (Front slot : 2,800N min.) F1max.=3,900N minimum (Front slot : 3,640N min.) (GS-ET-19) *3, *4, *5, *6	
Direct Opening Travel	11mm min.	
Direct Opening Force	20N min.	
Contact Resistance	100mΩ max. (Initial value)	
Degree of Protection	IP67 (IEC60529)	
Conditional short circuit current	50A (250V)	
Short-circuit protective device	250V, 10A fast acting type fuse *7	
Solenoid	Rated Operating Voltage	24V DC 100%ED
	Rated Current	292mA
	Turn ON Voltage	Rated Voltage × 85% max. (at 20°C)
	Turn OFF Voltage	Rated Voltage × 10% min. (at 20°C)
Rated Power Consumption	Approx. 7W	
Indicator	Rated Operating Voltage	24V DC
	Rated Current	10mA
	Light Source	LED lamp
	Lens Color	R (Red), G (Green) (Φ12 Lens)
Weight	Approx. 500g	

\*2 Basic insulation of 4kV impulse withstand voltage is ensured between different contact circuits and between contact circuits and LED or solenoid in the enclosure. When both SELV (safety extra low voltage) or PELV (protective extra low voltage) circuits and other circuits (such as 230V AC circuits) are used for the solenoid power and contact circuits at the same time, the SELV or PELV requirements are not met any more.

\*3 See Section 8 (Dimensions) and make sure the actuator entry slot.

\*4 See Section 8 (Dimensions) (mounting hole layout).

\*5 The actuator locking strength is rated at 3,000N of static load. Do not apply a load higher than the rated value. When a higher load is expected to work on the actuator, provide an additional system consisting of another safety switch without lock (such as the HS5D safety switch) or a sensor to detect door opening and stop the machine.

\*6 F1max. is maximum force. The actuator's guard-locking force Fzh is calculated in accordance with GS-ET-19:

$$F_{zh} = \frac{\text{maximum force (F1max.)}}{\text{Safety coefficient (=1.3)}}$$

\*7 Make sure that a fast acting fuse for short-circuit protection trips before overheating of the wires.

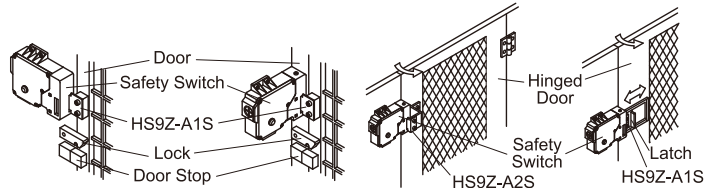
#### Ratings approved by safety agencies

(1) TÜV rating	(2) UL, c-UL rating	(3) CCC rating
AC-15 250V, 0.5A	0.5A, 250V ac, Pilot Duty	AC-15 240V, 0.75A
AC-15 240V, 0.75A	C300	DC-13 30V, 2.3A
DC-13 125V, 0.22A	0.75A, 240V ac, Pilot Duty	
DC-13 30V, 2.3A	1A, 30V dc, Pilot Duty	
	Q300	

### 3 Mounting Examples

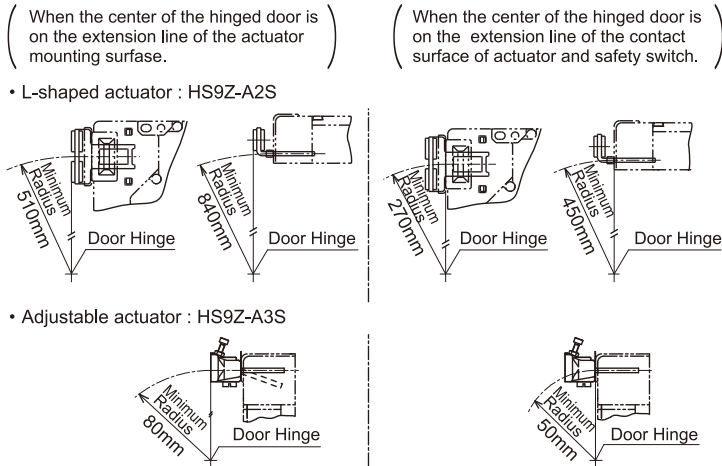
• Install the interlock switch on the immovable machine or guard, and install the actuator on the movable door. Do not install both interlock switch and actuator on the movable door, otherwise the angle of insertion of the actuator to the safety switch may become inappropriate, and failure will occur.

( Examples of Mounting on Sliding Doors ) ( Examples of Mounting on Hinged Doors )



## Minimum Radius of Hinged Door

When using the safety switch for a hinged door, the minimum radius of the applicable door is shown in the following figures.

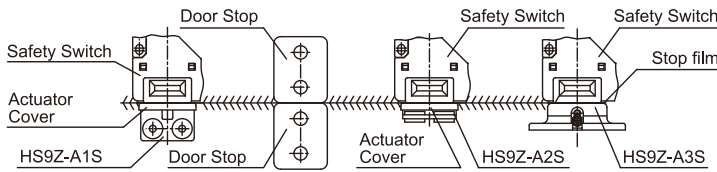


## CAUTION

The figures shown above are based on the condition that the actuator enters and exits the actuator entry slot smoothly when the door is closed or opened. Since there may be deviation or dislocation of the hinged door, make sure of correct operation in the actual application before installation.

## Actuator Mounting Reference Position

As shown below, the mounting reference position of the actuator inserted into the safety switch is the actuator cover or stop film touches the safety switch lightly. (After mounting the actuator, remove the actuator cover or stop film from the actuator.)



## Actuator Mounting Tolerance

- Mounting tolerance of the actuator is 0.5mm from the center of the actuator to up, down, right, and, left.
  - Make sure the actuator can be inserted into the entry slot without any issue.
  - Actuator can move 3.3mm (HS9Z-A1S and -A2S) / 2.6mm (HS9Z-A3S) from the mounting reference position without affecting the contact operation.
- $$\left( \text{Deviation of actuator position} \right) + \left( \text{Deviation of door position} \right) \leq 3.3 / 2.6\text{mm}$$
- 

When closing the door, the actuator is inserted and locked within approx. 3.8mm (HS9Z-A1S and -A2S) / 3.3mm (HS9Z-A3S) from the mounting reference position.

## Recommended Screw Tightening Torque

	Screw Tightening Torque
For mounting the safety switch (M5 screw) *8	3.2 to 3.8 N•m
For mounting the actuator HS9Z-A1S, HS9Z-A2S (M5 screw) *8, *9	2.7 to 3.3 N•m
HS9Z-A3S (M6 screw)	4.5 to 5.5 N•m
For mounting the lid (M4)	0.9 to 1.1 N•m
Terminal screw (M3.5)	0.9 to 1.1 N•m
Connector (G1/2)	2.7 to 3.3 N•m
Angle adjusting screw of HS9Z-A3S (M3 Hexagon Socket Head Screw)	0.8 N•m

## CAUTION

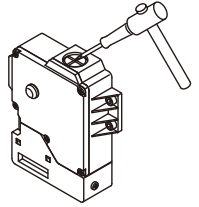
- \*8 The recommended tightening torques of the mounting screw are the values confirmed with hex socket head bolts. When the torque is not enough to recommended screw tightening torque, make sure that the screw do not become loose by using adhesive sealants etc. to keep right operation and mounting positioning.
- \*9 When rubber cushions (and spacers) are not used, use M6 screws and tighten to a torque of 4.5 to 5.5 N•m.



## Opening the Connector Hole

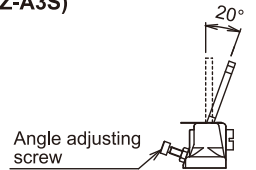
- Break a desired knockout to mount a connector using a hammer and a screwdriver.
- Remove the connector lock nut from inside the safety switch before breaking the knockout to open a connector hole.
- When breaking the knockout to open a connector hole, be careful not to damage the internal contact block.

Note : Cracks or burrs on the connector hole will degrade the waterproof characteristics.



## Adjusting the Angle Adjustable Actuator (HS9Z-A3S)

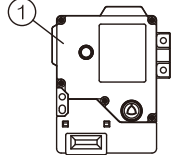
- Using the angle adjusting screw (M3 hexagon socket head screw), the actuator angle can be adjusted up to 20°.
- The larger the actuator angle, the smaller the applicable radius of the door swing. After installing the actuator, open the door. Then adjust the actuator angle so that the actuator enters the entry slot of the safety switch properly.
- After adjusting the actuator angle, apply loctite or the like on the adjusting screw to prevent loosening.



## 4 Precautions for Operation

### Installation

- Do not apply an excessive shock to the safety switch when opening or closing the door. A shock to the safety switch exceeding 1,000 m/s<sup>2</sup> may cause failure.
- Provide a door guide, and ensure that force is applied on the safety switch only in the actuator insertion direction.
- Do not pull the actuator while it is locked. Also, regardless of door types, do not use the safety switch as a door lock. Install a separated lock as shown in item 3.
- When opening the safety switch lid to wire, open the lid ① only. (See the figure on the right.) Never remove other screws, otherwise the safety switch may be damaged.
- The safety switch cover can be only removed or installed with the special L-shaped wrench supplied with the safety switch.
- Make sure to install the product in a place where it cannot be damaged. Make sure to conduct a proper risk assessment evaluation before using the product, and use a shield or a cover to protect the product if need be.
- Solenoid has polarity. Be sure to wire correctly. Do not apply voltage that exceed the rated voltage, otherwise the solenoid will be burnt out.
- Avoid foreign objects such as dust, liquid and oil from entering the safety switch while connecting a conduit or wiring.
- Entry of foreign objects in the actuator entry slot may affect the mechanism of the safety switch and cause a breakdown. If the operating atmosphere is contaminated, use a protective cover to prevent the entry of foreign objects into the safety switch through the actuator entry slots.
- Do not touch the solenoid while it is being energized, otherwise burning on hand will be caused (coil temperature rises up to approx. 100 degree C). Use heat-resistant wire when the solenoid touches wires.
- Use only the designated actuator for the HS1E. Other actuators will cause a breakdown of the safety switch.



L-shaped wrench attached to the safety switch  
Type : HS9Z-T1



## WARNING

- Turn off the power to the safety switch before starting installation, removal, wiring, maintenance, and inspection on the safety switch. Failure to turn power off may cause electrical shocks or fire hazard.
- Do not disassemble or modify the switch. Also do not attempt to disable the interlock switch function, otherwise a breakdown or an accident will result.
- Use wires of a proper size to meet voltage and current requirements. Tighten the terminal screws to a recommended tightening torque of 0.9 to 1.1N•m. Loose terminal screws will cause unexpected heating and fire hazard during operation.

## CAUTION

- HS1E Series Safety Switches are Type 2 low-level coded interlocking devices (EN ISO / ISO14119). The following system installation & mounting instructions are EN ISO / ISO14119 requirements to prevent function failure from the interlock switch.
  1. Using permanent fixing methods (e.g. welding, rivets, special screws...etc) to prevent dismantling or de-positioning of the interlock device. However, permanent fixing methods are not an adequate solution if you expect the interlock device to fail during the machinery lifetime, or if you need to replace the product in quick manner. In these situations, other measures (see 2.) should be put in place to reduce the risks of function failure.
  2. At least one of the following measures should be applied to prevent function failure.
    - (1) Mounting the interlock device in a place out of reach from workers
    - (2) Using shielding protection to prevent physical obstruction of the device
    - (3) Mounting the interlock device in a hidden position
    - (4) Integrate status monitoring & cycling testing of the device to the control system to prevent product failure.
- Regardless of door types, do not use the safety switch as a door stop. Install a mechanical door stop at the end of the door to protect the safety switch against an excessive force.
- Do not instal the actuator in the location where the human body may come into contact. Otherwise injury may occur.
- Pay attention to the management of spare actuator. Safety function of safety switch will be lost in case the spare actuator is inserted into the safety switch. Ensure that the actuator is firmly fastened to the door (welding, rivet, special screw) in the appropriate location, so that the actuator cannot be removed easily.
- Do not cut or remodel the actuator, otherwise failure will occur.
- If multiple safety components are wired in series, the Performance Level to EN ISO 13849-1 will be reduced due to the restricted error detection under certain circumstance.
- The entire concept of the control system, in which the safety component is integrated, must be validated to EN ISO 13849-2.

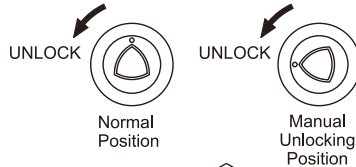
## For Manual Unlocking

- The HS1E allows manual unlocking of the key to precheck door operation before wiring or turning on power, as well as for emergency use such as a power failure.

### (Unlocking Method)

- HS1E with manual unlock key
 

To change the normal position to the manual unlocking position as shown on the right, turn the key fully (90 degrees) using the red plastic key included with the safety switch. Using the safety switch with the key being not fully turned (less than 90 degrees) may cause damage to the safety switch or errors.



(note : when manually unlocked, the safety switch will keep the main circuit disconnected and the door unlocked.)

Do not attach the key to the safety switch intentionally (the key is designed to fall off when the operator's hand is off the key). In such case, safety standards become unapplied because the safety switch can be always unlocked during machine operation, and therefore will give hazardous conditions to workers.

- HS1E without manual unlock key

Remove the screw at the side of the safety switch using the wrench for mounting the HS1E lid. Push the lever inside the safety switch toward the pilot light using a small screwdriver until the actuator is unlocked. See the figure on the right.

- Common

Insert a small screwdriver from the hole of the reverse side of the safety switch. Push the pin inside the safety switch toward the pilot light using a small screwdriver until the actuator is unlocked. See the figure on the right. A hole for the lever should be opened on the mounting panel. When opening the hole, apply proper protection against water and other foreign objects.

## CAUTION

- Before manually unlocking the safety switch, make sure the machine has come to a complete stop. Manual unlocking during operation may unlock the safety switch before the machine stops, and the function of safety switch with solenoid is lost.

## 5 Contact Operation

### Contact Configuration and Operating Characteristic

Type	Contact Configuration *11	Operating Characteristic (reference)
HS1E-84		<p>(Travel : mm)</p> <p>0 (Actuator Mounting Reference Position)</p> <p>Approx.4.2 (Lock)</p> <p>Approx.30.0</p> <p>1-2 3-4 5-6</p> <p>(Actuator Completely Inserted) (Actuator Pulled Out)</p> <p>■ Contact Closed □ Contact Open</p>

## CAUTION

\*10 This locking monitoring marking has been newly described in section 9.2.1 of EN ISO / ISO14119. It indicates that any devices with this marking meet the following EN ISO / ISO 14119 requirements:

- General (- General requirements for guard locking devices) (Section 5.7.1) \*
- Locking monitoring (- Locking monitoring for guard locking devices) (Section 5.7.2.2)

When a lock monitor circuit (contact) has the locking monitoring marking, it means that one circuit (contact) can monitor the position and the locking function of the protective door. (The locking monitoring circuit (contact) turns ON only when the protective door is closed and locked.)

\* note HS1E safety switches have obtained the locking monitoring certification marking.

\*11 The Actuator is inserted , and HS1E is locked.

- Contact operation is based on the condition that the actuator is inserted into the center of the safety switch slot.
- Contact operation shows the HS9Z-A1S, A2S, A3S actuator.
- Use main circuit or monitor circuit with for the input to safety circuit.

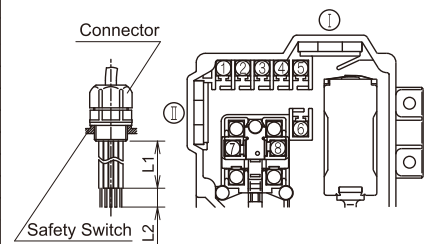
### Operation Cycle

Door States	Closed	Closed	Open
Main Circuit ①	1-2 : Closed	1-2 : Open	1-2 : Open
Main Circuit ②	3-4 : Closed	3-4 : Open	3-4 : Open
Auxiliary Circuit	5-6 : Closed	5-6 : Open	5-6 : Open
Solenoid Power	7-8 : Off	7-8 : On	7-8 : Off / On
	Door is locked. The machine can be operated.	Door is unlocked. The machine can not be operated.	The machine can not be operated.

## 6 Wiring

### Wire Length inside the Safety Switch

Screw Terminal No.	Through Conduit Port	
	①	②
1	80±2	35±2
2	70±2	35±2
3	60±2	40±2
4	50±2	45±2
5	40±2	55±2
6	35±2	55±2
7	85±2	35±2
8	60±2	80±2
Wire Stripping Length : L2 (mm)	7±1	



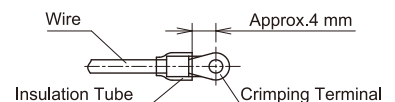
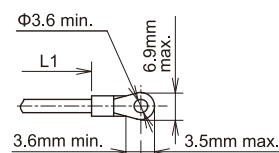
### Recommended Wire Core Size

0.5 to 1.25 mm<sup>2</sup>

Note : When wiring to terminals 7 and 8, connect the wires together with the prewired terminal tongues.

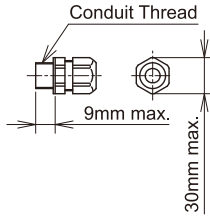
### Applicable Crimping Terminal

Note : Make sure to use an insulation tube on the crimping terminal.



## Applicable Connectors

Use a connector with a degree of protection IP67.  
Applicable connector dimensions : See the figure on the right.  
When using the M20 connector, replace the locking nut in the safety switch with the connector locking nut (HW9Z-NM20) sold separately.



- When using flexible conduit and metal connector  
Applicable Flexible Conduit Example : Type VF-03 (made by Nihon Flex)  
Applicable Metal Connector Example  
(G1/2) : Type RLC-103 (made by Nihon Flex)  
(PG13.5) : Type RBC-103PG13.5 (made by Nihon Flex)  
(M20) : RLC-103EC20 (made by Nihon Flex)
- When using plastic connector, metal connector and multi-core cable  
(G1/2) Applicable Plastic Connector Example : Type SCS-10□ (made by Seiwa Electric)  
Applicable Metal Connector Example : Type ALS-16□□ (made by Nihon Flex)  
(PG13.5) Applicable Plastic Connector Example : Type ST13.5 (made by LAPP)  
Applicable Metal Connector Example : Type ABS-□□PG13.5 (made by Nihon Flex)  
(M20) Applicable Plastic Connector Example : ST-M20×1.5 (made by LAPP)  
Applicable Metal Connector Example : ALS-□□EC20 (made by Nihon Flex)

Note : Confirm the outside diameter of the multi-core cable, the connector type depends on the outside diameter of multi-core cable.

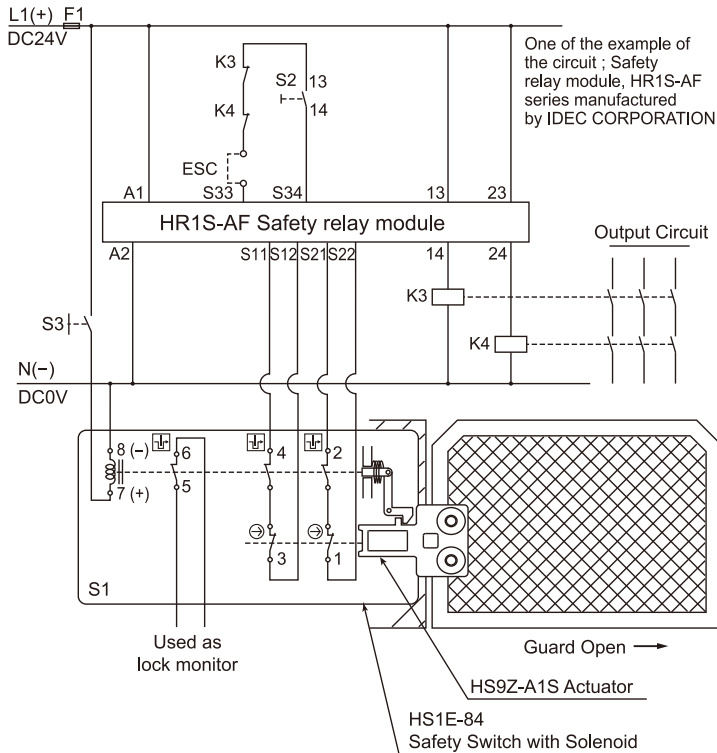
Note : When using ST-M20×1.5, use with gasket GP-M (Type No : GPM20, made by LAPP).

## 7 Example of wiring Diagram realizing Safety Category

### Example of a circuit diagram for Safety Category 3 (attainable PL = d)

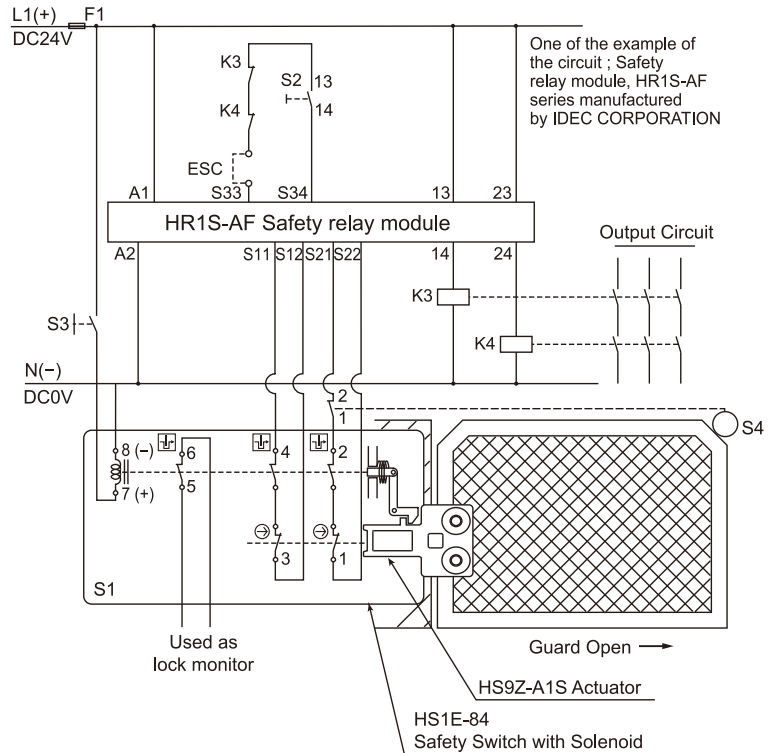
(Condition 1: To apply the fault exclusion of mechanical structural parts including the actuator → Make sure to use the product within the product specification range described in this manual and the version of the manual provided with the product.)

(Condition 2: Documentation of the reason for the machine/equipment manufacturer to have applied the fault exclusion based on ISO13849-1, ISO13849-2 or IEC62061.)



- S1: HS1E-84 Safety Switch with Solenoid
- S2: Starting Switch (HW Series Momentary)
- S3: Unlocking Enabling Switch
- S4: Safety limit Switch
- ESC: Outside start condition
- K3, 4: Safety Contactor
- F1: Outside fuse of safety relay module at power supply line

### Example of a circuit diagram for Safety Category 4 (attainable PL = e)

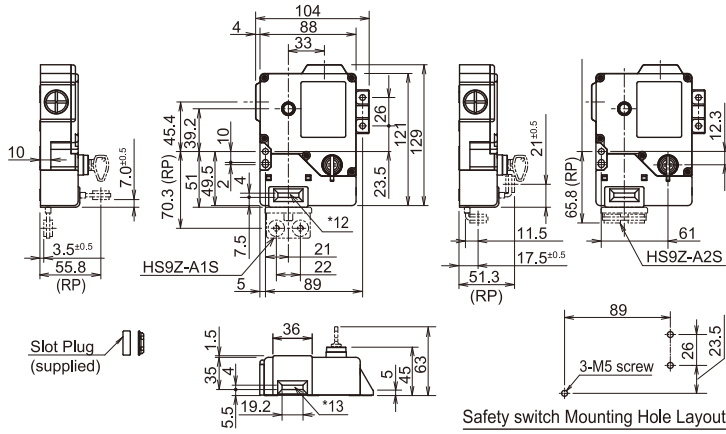


Note: Use the monitoring device (Safety relay module) provided the capability to detect a cross short circuit.  
The insulation of the cable has to withstand environmental influences.  
If a control device other than the one shown in the draft is used, the used control device has to be equipped with a cross short circuit monitor.

## 8 Dimensions (mm)

### Safety Switch dimensions

RP: Actuator mounting reference position



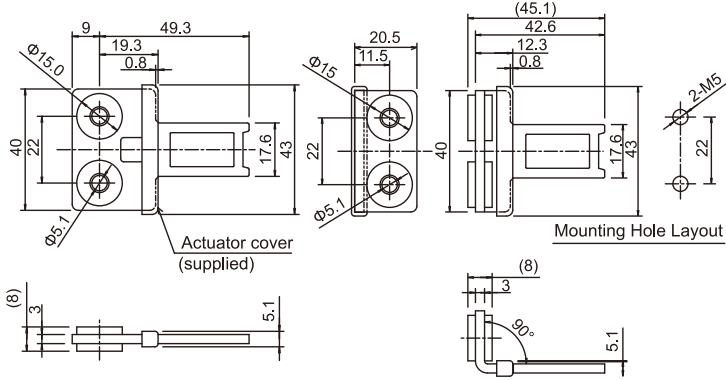
\*12 actuator entry slot (Front slot)  
\*13 actuator entry slot (Bottom slot)

Note : Use the slot plug attached to the safety switch to close the unused actuator entry slot.

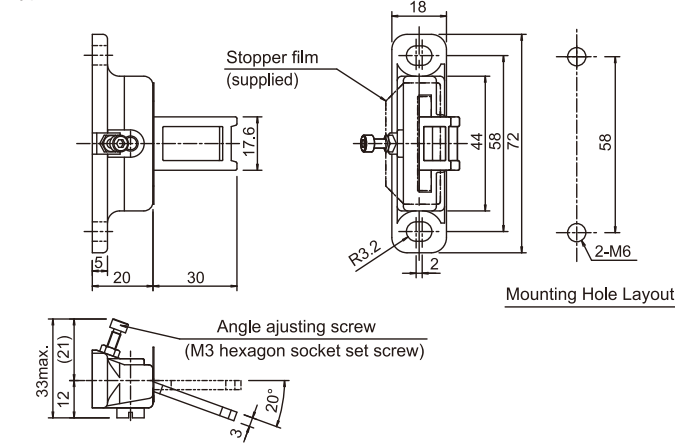
### Accessories dimensions

Type : HS9Z-A1S

Type : HS9Z-A2S



Type : HS9Z-A3S



## 9 Precaution for Disposal

Dispose of the HS1E safety switch as an industrial waste.

## IDEC CORPORATION

<http://www.idec.com>

**Manufacturer: IDEC CORP.**

2-6-64 Nishimiyahara Yodogawa-ku, Osaka 532-0004, Japan

**EU Authorized Representative: IDEC Elektrotechnik GmbH**

Heseltuecken 8, D-22453 Hamburg, Germany

**DECLARATION OF CONFORMITY**

We, IDEC CORPORATION 2-6-64, Nishimiyahara Yodogawa-ku, Osaka 532-0004, Japan declare under our sole responsibility that the product:

Description: Safety Switch

Model No: HS1E

to which this declaration relates is in conformity with the EC Directive on the following standard(s) or other normative document(s). In case of alteration of the product, not agreed upon by us, this declaration will lose its validity.

Applicable EC Directive : Low Voltage Directive (2014/35/EU)  
Machinery Directive (2006/42/EC)

Applicable Standard(s) : EN 60947-5-1, GS-ET-19