

# INSTRUCTION SHEET

## Operator Interface MICROIT<sup>®</sup> O/I Link Unit

Type HG9Z-2G1

Read this instruction sheet and user's manual to make sure of correct operation before starting installation, wiring, operation, maintenance, and inspection of the O/I link unit.

The O/I link unit is an optional unit for the operator interface, and is used in combination with the operator interface.

### Safety Precautions

In this instruction sheet, safety precautions are categorized in order of importance into Warning and Caution:

**⚠ WARNING** Warning notices are used to emphasize that improper operation may cause severe personal injury or death.

**⚠ CAUTION** Caution notices are used where inattention might cause personal injury or damage to equipment.

#### ⚠ WARNING

This Equipment is Suitable For Use in Class I, Division 2, Groups A,B, C, D or Non-Hazardous Locations Only

**Warning** - Explosion Hazard - Substitution of Components May Impair Suitability for Class I, Division 2

**Warning** - Explosion Hazard - Do Not Disconnect Equipment Unless Power Has Been Switched Off Or The Area is Known To Be Non-Hazardous

- Turn off the power to the operator interface before starting installation, removal, wiring, maintenance, and inspection of the operator interface. Failure to turn power off may cause electrical shocks or fire hazard.

- Special expertise is required to install, wire, configure, and operate the operator interface. People without such expertise must not use the operator interface.

#### ⚠ CAUTION

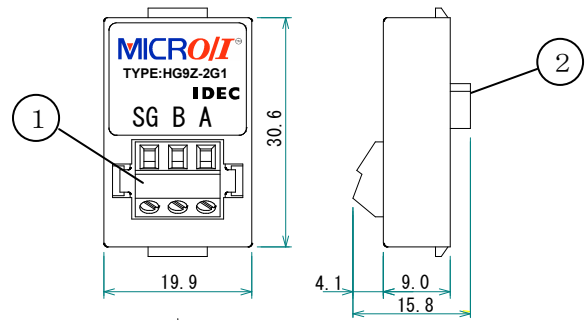
- Install the O/I link unit according to the instructions in the user's manual. Improper installation will result in falling, failure, electrical shocks, fire hazard, or malfunction of the O/I link unit.
- When attaching the O/I link unit, do not touch the printed circuit board in the operator interface or O/I link unit. Otherwise the OPERATOR INTERFACE or O/I link unit may be damaged.
- Use wire of a proper size to meet the voltage and current requirements. Tighten M2 terminal screws to a proper tightening torque of 0.22 to 0.25 N·m. Using a wrong wire may cause fire hazard.
- Prevent the O/I link unit from falling while moving or transporting the O/I link unit, otherwise damage or malfunction of the O/I link unit will result.
- Prevent metal fragments or wire chips from dropping inside the operator interface housing and O/I link unit. Ingress of such fragments and chips may cause fire hazard, damage, and malfunction.
- Do not disassemble, repair, or modify the O/I link unit.
- When disposing of the O/I link unit, do so as an industrial waste.
- Do not pull the cables connected to the O/I link unit with a force of 20 N·m or more. Otherwise the operator interface or O/I link unit may be damaged.

### 1 Unpacking

Before installing the O/I link unit, make sure that the O/I link unit has the specifications as you ordered with no parts missing or damaged during transportation.

Name	Type No.	Quantity
O/I Link Unit	HG9Z-2G1	1
Instruction Sheet	B-560	1

### 2 External Dimensions and Parts Description



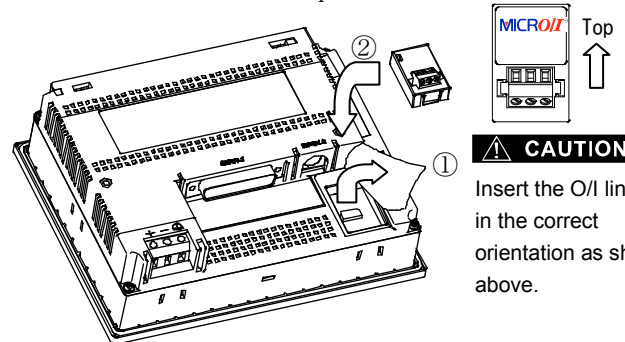
No.	Signal Name	Function
1	Terminal	Terminal for communication
2	Connector	Connect to the operator interface

Each signal on the terminal is as follows:

Name	Description
A	Signal line A
B	Signal line B
SG	Signal ground

### 3 Installation

Install the O/I link unit to the rear of operator interface as shown below.



#### ⚠ CAUTION

Insert the O/I link unit in the correct orientation as shown above.

- ① Remove the seal from the attachment hole on the rear of the operator interface.
- ② Insert the O/I link unit into the attachment hole.
- ③ Insert properly until the latches click to secure the O/I link unit.

#### ⚠ CAUTION

The O/I link unit cannot be removed once it has been installed into the operator interface.

### 4 Wiring

Make the wiring as short as possible and run all wires as far away as possible from high-voltage and large-current cables.

Wiring requirements:

- Recommended cable: Shielded twisted-pair cable
- Cable size: AWG28-16
- Screw tightening torque: 0.22 to 0.25 N·m
- Wire length: 200m maximum