

## INSTRUCTION SHEET (ORIGINAL)

### Actuator with Plastic Holder For HE□G HE□G Series

Confirm that the delivered product is what you have ordered.  
Read this instruction sheet to make sure of correct operation.  
Make sure that the instruction sheet is kept by the end user.

#### Safety Precautions

In this operation instruction sheet, safety precautions are categorized in order of importance to Warning and Caution :

#### WARNING

Warning notices are used to emphasize that improper operation may cause severe personal injury or death.

#### CAUTION

Caution notices are used where inattention might cause personal injury or damage to equipment.

### 1 Type

HE9Z-GP15

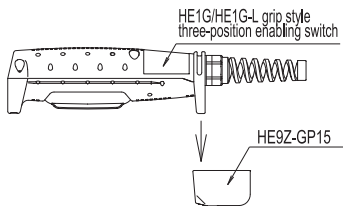
### 2 Specifications

|                        |   |
|------------------------|---|
| Applicable model       | HE1G/HE1G-L/HE2G grip style three-position enabling switch<br>HS5D/HS5E-K/HS5L interlock switch |
| Machine durability     | 10,000 times or more  |
| Weight (approximately) | 35g   |

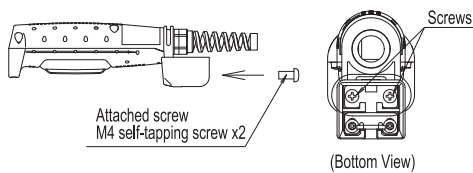
- Refer to the specifications of grip style three-position enabling switch and the interlock switch for the specifications of the grip style three-position enabling switch and interlock switch used.

### 3 Mounting

- The HE9Z-GP15 and the grip style three-position enabling switch are installed as shown in the following figure.  
< Case of HE1G/HE1G-L grip style three position enabling switch >



- Secure the actuator using attached two screws in the direction of the arrow as shown in the following figure.



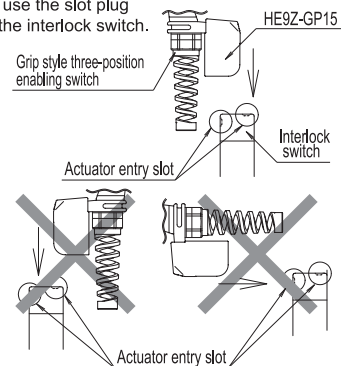
#### CAUTION

- Use the attached screws (M4 self-tapping screw \*2) to secure the HE9Z-GP15 in the grip style three-position enabling switch with.  
**Recommended tightening torque : 1.0±0.1N · m**  
Do not tighten the HE9Z-GP15 onto the grip style three-position enabling switch with excessive force, otherwise the mounting holes on the grip style three-position enabling switch are damaged and the HE9Z-GP15 can no longer be fixated. Prevent screws from loosening by using anti-loosening agent. (Recommended: LOCTITE 425, ThreeBond 1401)

### 4 Precautions for Operation

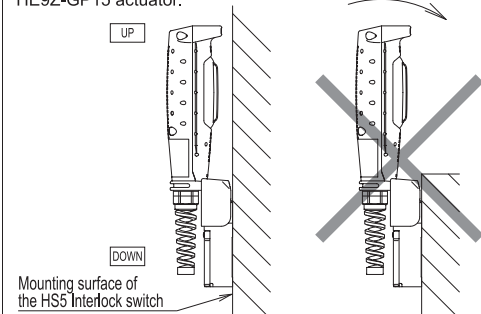
#### WARNING

- Do not disassemble or modify the Actuator. Also do not attempt to disable the grip style three-position enabling switch and interlock switch used function, otherwise a breakdown or an accident will result.
- When using the HE9Z-GP15 for safety-related equipment in a control system, refer to the safety standards and regulations in each country and region depending on the application purpose of the actual machines and installations to make sure of correct operation. Also, perform risk assessment to make sure of safety before starting operation.
- Read the instruction sheet of the grip style three-position enabling switch and interlock switch used.
- Insert the HE9Z-GP15 in the direction as shown in the following figure only. Do not insert from other directions. Also, do not use the slot plug attached to the interlock switch.

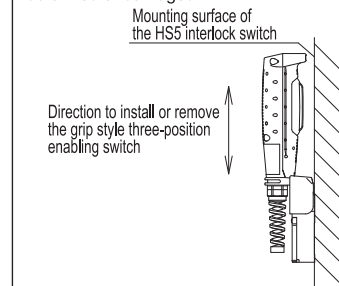


#### CAUTION

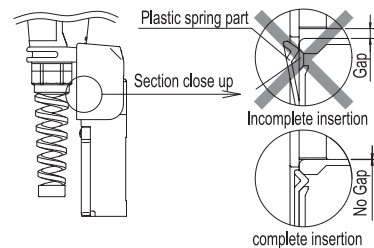
- Vertical installation of the grip style three-position enabling switch and interlock switch is shown in figure 1. Do not install in any other directions. Also, make sure that the mounting surface is provided to face the entire area of grip style three-position enabling switch, so that the grip style three-position enabling switch does not lean over as shown in figure 2. Leaning the grip style three-position enabling switch deforms and damages the HE9Z-GP15 actuator.



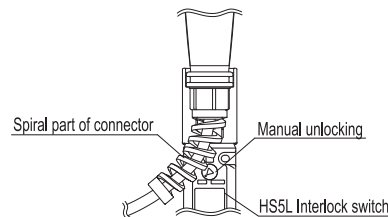
- Do not install the grip style three-position enabling switch and the interlock switch in an area where the products are exposed to vibration. Excessive vibration may cause malfunction of switch contacts of the grip style three-position enabling switch. Also, exposition to vibration for a long period of time causes abrasion of plastic parts.
- When installing or removing the grip style three-position enabling switch, do not impose excessive force to the grip style three-position enabling switch in the direction other than shown in the following figure. Otherwise the HE9Z-GP15 actuator is deformed or damaged.



- Make sure that the HE9Z-GP15 actuator is inserted into the interlock switch completely. Any foreign objects between the actuator and interlock switch interfere with the plastic spring, resulting in possible damage of the actuator.



- When manually unlocking the HS5L interlock switch attached to the grip style three-position enabling switch, bend the spiral part of the connector slightly to access the manual unlocking key.

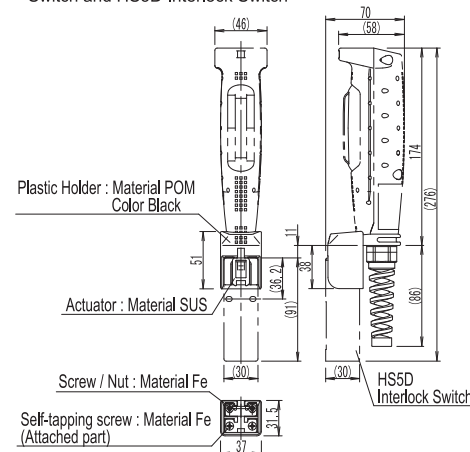


#### CAUTION

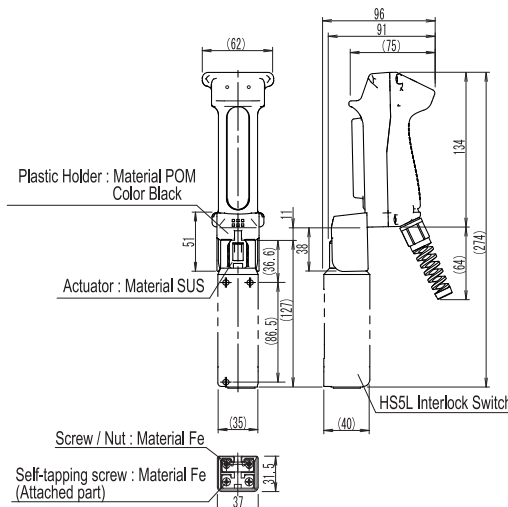
- Do not impose excessive shocks to the HE9Z-GP15 when attached to the HS5 interlock switch, otherwise the actuator may be removed from the interlock switch. Also excessive shocks may result in damage or failure of the interlock switch.
- When the plastic part of the HE9Z-GP15 or the actuator is damaged or deformed, stop using immediately.
- The HE9Z-GP15 is used for HE□G grip style three-position enabling switch and HS5 interlock switch only. Do not use the HE9Z-GP15 for other products.

### 5 Dimensions

- When using HE1G/HE1G-L Grip Style Three-position Enabling Switch and HS5D Interlock Switch



- When using HE2G Grip Style Three-position Enabling Switch and HS5L Interlock Switch



### 6 Precaution for Disposal

- Dispose of the HE9Z-GP15 as an industrial waste.