

Control boxes (Flameproof & Increased Safety)

EC2B



• See website for standards and approvals

Applicable in areas where explosive gases/steam exist

Can be used in gas and steam environment including hydrogen and acetylene. (Ex db eb IIC T6 Gb, zone 1, zone 2)

Applicable in areas subject to dust

Can be used in a dusty environment. (IECEX, ATEX, UKEX, Ex-CCC, JPEX: zone 21, zone 22).

Stainless enclosure

Coating on a stainless enclosure. Corrosion-resistant.

Available with a variety of switches/pilot lights and enclosures

- Variety of control box sizes to choose from: 1-column with 1 to 5 control units, 2-column with 2 to 5 control units, 3-column with 2 to 6 control units, and 4 column with 6 control units.
- Pilot lights, pushbuttons, selector switches, emergency stop switches, key selector switches, and meters available.

Global standards

Global: IECEX
Europe: CE/ATEX
UK: UKEX
USA, Canada: UL/c-UL
China: Ex-CCC
Japan: JPEX

Degree of protection: IP65 (IEC 60529), Type4X (UL)

Various circuit configurations

Control units with up to 3 contacts can be installed. Selector switches available with overlapping contacts suitable for various applications.

Terminals of switches and pilot lights

Finger-safe (IP20) and exposed screw terminals available.



Exposed screw terminal



Finger-safe screw terminal (IP20)

Padlock cover

Padlock cover is available for lock-off on extended pushbuttons and to prevent misoperation for key selector switches.

EC2B Control Boxes (Flameproof & Increased Safety)

Complies with global explosion-proof standards (IECEX, ATEX, UKEX, UL/c-UL, Ex-CCC, JPEX)



Specifications

Degree of protection	IP65 (IEC60529), Type 4X (UL)
Housing Material	Stainless steel (SUS304)
Standard Coating (*)	5Y7/1 (semi gloss) melamine baking (coating thickness: 10µm) 1-column: outside coating 2-, 3-, 4-column: Inside and outside coating
Rated Insulation Voltage	600V (with pilot light, ET2A-8PE screw terminal block, or potentiometer: 500V) Meter AC input: 300V Meter DC input: 150V Buzzer: 250V
Insulation Resistance	100MΩ minimum (500V DC megger)
Operating Temperature	-20 to +50°C -20 to +40°C (with potentiometer) (no freezing)
Operating Humidity	45 to 85% (no condensation)
Altitude	2000m maximum

* Special coating, buffing (#400), and special color are also available.

Explosion Protection Performance and Certification Numbers

Certification	Explosion Protection Performance	Certification No.
IECEX	Ex db eb IIC T6 Gb Ex tb IIIC T80°C Db (dust)	IECEX CML 22.0004X
ATEX	Ex db eb IIC T6 Gb Ex tb IIIC T80°C Db (dust)	CML 22ATEX1044X
UKEX	Ex db eb IIC T6 Gb Ex tb IIIC T80°C Db (dust)	CML 22UKEX1360X
UL	Class I, Zone 1 AEx d e IIC T6 Gb Class I Div 2, Groups A, B, C and D	E347230
c-UL Without pilot light	Class I, Zone 1, Ex de IIC T6 Gb Class I Div 2, Groups A, B, C and D	
c-UL With pilot light	Class I, Zone 1, Ex de IIB T6 Gb Class I, Div 2, Groups C and D	
CCC (*)	Ex db eb IIC T6 Gb Ex tb IIIC T80°C Db (dust)	
JPEX (Japan)	Ex db eb IIC T6 Gb Ex tb IIIC T80°C Db (dust)	CML 22JPN1047X

* CCC certification (Also as referred to as Ex-CCC)

Certification Comparison

	IECEX, ATEX, UKEX, Ex-CCC	UL/c-UL, IECEX, ATEX, UKEX	JPEX
Part No.	EC2B-[]-GL	EC2B-[]-U	EC2B-[]
Applicable Enclosure	All enclosures	All enclosures except for 6 Control Units x 4 Column	All enclosures
Mounting Style	Wall mount Pole mount	Wall mount	Wall mount Pole mount
Applicable Control Unit	Pilot Light	Yes	Yes (*1)
	Pushbutton	Yes	Yes
	Emergency Stop Switch	Yes	Yes
	Selector Switch	Yes	Yes
	Key Selector Switch	Yes	Yes
	Meter	Yes	Yes
	Buzzer	Yes	—
	Potentiometer	Yes	—
Reducer Screw	Metric thread (M) (standard)	NPT thread (standard)	Parallel pipe thread (G) (standard)
	NPT thread / Parallel pipe thread	Metric thread (M)	Metric thread (M) / NPT thread
Cable Gland	Yes (HPN-E) (*2)	— (*3)	Yes (HPN-E) (*2)
Stopping Plug	— (*2)	— (*3)	Yes (GBE)
Degree of Protection	IP65	IP65, TYPE4X (UL)	IP65
Grounding Terminal Screw Material	Stainless steel	Stainless steel	Stainless steel
Applicable Wire	Stranded Wire (mm ²)	1.25 to 2.5	1.25 to 2.5
	Solid Wire (mm ²)	1.2 to 1.6	1.2 to 1.6
	Solid/Stranded Wire (AWG)	16-14	16-14

*1: c-UL explosion protection performance is different when pilot light is installed.

*2: Parallel pipe thread (G) only. For other specifications, use commercially available cable glands compliant to the corresponding standards.

*3: Use fittings and plugs commercially available compliant to the corresponding standards.

Control Boxes (IECEX, ATEX, UKEX, Ex-CCC, UL/c-UL, JPEX)

Control Box

	1, 2 control units	3 control units	4 control units	5 control units		6 control units
1-column					3-column	
2-column						Not available for EC2B-□□-U
3-column					4-column	

Control Units

Control Unit	Pilot Light				Pushbutton			Emergency Stop Switch
Shape	Round				Flush	Extended	Mushroom	Mushroom (ø40)
Operation	—				Momentary			Push-to-lock, pull or turn-to-reset
Shape								
Illumination color/button color	R (red) G (green) Y (yellow) A (amber) S (blue) PW (pure white)				B (black) G (green) R (red) W (white) Y (yellow) S (blue)			R (red)
Part No.	EU2B-YL				EU2B-YB1	EU2B-YB2	EU2B-YB3	EU2B-YBV
Page	15				15			15

Control Unit	Selector Switch		Buzzer (*)	Potentiometer (*)	Meter
Shape	Knob Operator	Key			
Part No.	EU2B-YS	EU2B-YSK	EC9F-Z	ComExflex Potentiometer	EU2B-YM
Page	16		16	17	17

*Not available for EC2B-□□-U.

Nameplate/Mounting Hole Plug

Name	Control Unit Nameplate	Marking Plates for Control Unit Nameplates	Emergency Stop Switch Nameplate Sticker	Control Unit Mounting Hole Plug
Shape				
Part No.	EU9Z-NM	EU9Z-NP	EU9Z-NVS	EU9Z-BP
Page	23	23	23	23

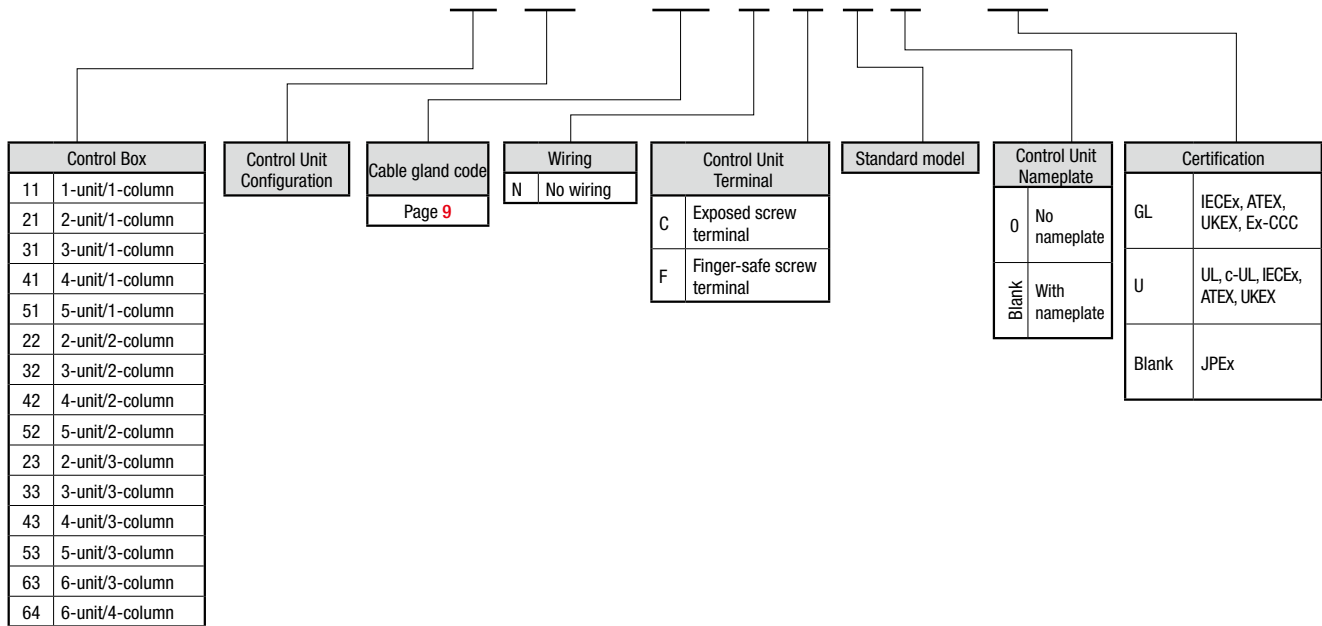
* See page 21 for accessories.

Standard Part No. Development (reference)

The chart below describes the configuration of the standard model. See next page for standard models.

For custom order models, contact IDEC for part number, prices, and delivery time. Use this chart for interpreting part numbers, and not for developing part numbers.

EC2B-11 01 B F2 N C 1 0 - GL



Standard control box

- Specify the Part No. when ordering standard control boxes.
- For control unit specifications and part numbers, see pages 13 to 17. For cable gland specifications, see page 9. For specifications of control unit nameplate and emergency stop switch nameplate sticker, see page 23.
- If a control unit nameplate or emergency stop switch nameplate sticker is not required on standard control boxes, add "0" after the Part No.

Example: EC2B-1102BF2NC10

Custom assembled control box

- If the required control units, accessories, and cable gland are not standard specifications, and if control box nameplate (NP) is required, specify the required specifications on the Specification Sheet on pages 29 to 30.
- The model and number of control units that can be installed depend on the size of control box. See page 24 and specify the control unit configuration.

Standard and custom assembled control boxes

- Part No. is shown on control boxes as below.

IECx, ATEX, UKEx, Ex-CCC certified

EC2B-□□□□-GL

Part No. Example

Part No: EC2B-1102BM3NC3-GL

Part No. on control box: EC2B-1102-GL

UL/c-UL, IECEx/ATEX/UKEX certified

EC2B-□□□□-U

Part No. Example

Part No: EC2B-1102BN2F4-U

Part No. on control box: EC2B-1102-U

JPEX certified

EC2B-□□□□ (see page 24)

Part No. Example

Wall mount

Part No: EC2B-1102BF2NF2


Part No. on control box: EC2B-1102-F

- See below for the symbols of control units.


- Ⓟ : Pilot light
- Ⓟ : Pushbutton
- Ⓢ : Emergency stop switch
- Ⓢ : Selector switch/Key selector switch
- Ⓜ : Meter
- Ⓡ : Buzzer
- Ⓡ : Potentiometer
- Ⓡ : Control unit mounting hole plug

1 Control Unit × 1 Column (without wiring) Standard Models


Pushbuttons

Shape/Symbol	Mounted Control Units			
	Flush momentary 1NO contact Nameplate ON Button color (supplied with black, green, red, and white buttons)	Flush momentary 1NC contact Nameplate OFF Button color (supplied with black, green, red, and white buttons)	Flush momentary 1NO-1NC contact Nameplate ON Button color (supplied with black, green, red, and white buttons)	Flush momentary 1NO-1NC contact Nameplate OFF Button color (supplied with black, green, red, and white buttons)
Part No. (IECEX, ATEX, UKEX, Ex-CCC)	EC2B-1102BM3N□1-GL	EC2B-1102BM3N□2-GL	EC2B-1102BM3N□3-GL	EC2B-1102BM3N□4-GL
Part No. (UL/c-UL, IECEx, ATEX, UKEX)	EC2B-1102BN2N□1-U	EC2B-1102BN2N□2-U	EC2B-1102BN2N□3-U	EC2B-1102BN2N□4-U
Part No. (JPEX)	EC2B-1102BF2N□1	EC2B-1102BF2N□2	EC2B-1102BF2N□3	EC2B-1102BF2N□4


Pilot Lights

Shape/Symbol	Mounted Control Units					
	100/110V AC Illumination color: red	200/220V AC Illumination color: red	24V AC/DC Illumination color: red	100/110V AC Illumination color: green	200/220V AC Illumination color: green	24V AC/DC Illumination color: green
Part No. (IECEX, ATEX, UKEX, Ex-CCC)	EC2B-1101BM3N□1-GL	EC2B-1101BM3N□2-GL	EC2B-1101BM3N□3-GL	EC2B-1101BM3N□4-GL	EC2B-1101BM3N□5-GL	EC2B-1101BM3N□6-GL
Part No. (UL/c-UL, IECEx, ATEX, UKEX)	EC2B-1101BN2N□1-U	EC2B-1101BN2N□2-U	EC2B-1101BN2N□3-U	EC2B-1101BN2N□4-U	EC2B-1101BN2N□5-U	EC2B-1101BN2N□6-U
Part No. (JPEX)	EC2B-1101BF2N□1	EC2B-1101BF2N□2	EC2B-1101BF2N□3	EC2B-1101BF2N□4	EC2B-1101BF2N□5	EC2B-1101BF2N□6

Emergency Stop Switches

Shape/Symbol	Mounted Control Units
	Emergency stop switch 2NC contact Nameplate EMERGENCY STOP Button color (red)
Part No. (IECEX, ATEX, UKEX, Ex-CCC)	EC2B-1102BM3N□7-GL
Part No. (UL/c-UL, IECEx, ATEX, UKEX)	EC2B-1102BN2N□7-U
Part No. (JPEX)	EC2B-1102BF2N□7



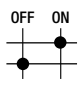
Buzzers

Shape/Symbol	Mounted Control Units	
	Buzzer 100/110V AC	Buzzer 200/220V AC
Part No. (IECEX, ATEX, UKEX, Ex-CCC)	EC2B-1130BM3N□1-GL	EC2B-1130BM3N□2-GL
Part No. (JPEX)	EC2B-1130BF2N□1	EC2B-1130BF2N□2



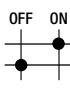
- Specify terminal style code in place of □ in the Part No.
C (exposed screw terminal), F (finger-safe screw terminal)
- Contact IDEC for custom assembled control boxes.

1 Control Unit × 1 Column (without wiring) Standard Models

Selector Switches




Shape/Symbol	Mounted Control Units
 	Knob selector 2-position maintained 1NO-1NC contact Name plate OFF-ON 
Part No. (IECEX, ATEX, UKEX, Ex-CCC)	EC2B-1106BM3N□1-GL
Part No. (UL/c-UL, IECEX, ATEX, UKEX)	EC2B-1106BN2N□1-U
Part No. (JPEX)	EC2B-1106BF2N□1

Key Selector Switches




Shape/Symbol	Mounted Control Units
 	Key selector 2-position maintained (removable at all positions) 1NO-1NC contact Nameplate OFF-ON 
Part No. (IECEX, ATEX, UKEX, Ex-CCC)	EC2B-1106BM3N□4-GL
Part No. (UL/c-UL, IECEX, ATEX, UKEX)	EC2B-1106BN2N□4-U
Part No. (JPEX)	EC2B-1106BF2N□4

2 Control Units × 1 Column (without wiring) Standard Models




Two Flush Pushbuttons

Shape/Symbol	Mounted Control Units
 	Flush momentary 1NO contact, Nameplate ON Button color (supplied with black, green, red, and white buttons)
	Flush momentary 1NC contact, Nameplate OFF Button color (supplied with black, green, red, and white buttons)
Part No. (IECEX, ATEX, UKEX, Ex-CCC)	EC2B-2102BM3N□1-GL
Part No. (UL/c-UL, IECEX, ATEX, UKEX)	EC2B-2102BN2N□1-U
Part No. (JPEX)	EC2B-2102BF2N□1

Two Mushroom Pushbuttons

Shape/Symbol	Mounted Control Units
 	Mushroom momentary 1NO-1NC contact, Nameplate ON Button color (black)
	Mushroom momentary 1NO-1NC contact, Nameplate OFF Button color (red)
Part No. (IECEX, ATEX, UKEX, Ex-CCC)	EC2B-2102BM3N□4-GL
Part No. (UL/c-UL, IECEX, ATEX, UKEX)	EC2B-2102BN2N□4-U
Part No. (JPEX)	EC2B-2102BF2N□4

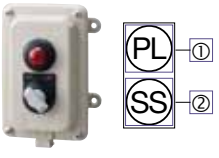
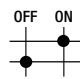
Pilot Lights/Pushbuttons

Shape/Symbol	Mounted Control Units		
 	100/110V AC Illumination color: red	200/220V AC Illumination color: red	24V AC/DC Illumination color: red
	Flush momentary 1NO-1NC contact Name plate STOP Button color (supplied with black, green, red, and white buttons)	Flush momentary 1NO-1NC contact Name plate STOP Button color (supplied with black, green, red, and white buttons)	Flush momentary 1NO-1NC contact Name plate STOP Button color (supplied with black, green, red, and white buttons)
Part No. (IECEX, ATEX, UKEX, Ex-CCC)	EC2B-2110BM3N□1-GL	EC2B-2110BM3N□2-GL	EC2B-2110BM3N□3-GL
Part No. (UL/c-UL, IECEX, ATEX, UKEX)	EC2B-2110BN2N□1-U	EC2B-2110BN2N□2-U	EC2B-2110BN2N□3-U
Part No. (JPEX)	EC2B-2110BF2N□1	EC2B-2110BF2N□2	EC2B-2110BF2N□3

- Specify terminal style code in place of the Part No.
C (exposed screw terminal), F (finger-safe screw terminal)
- Contact IDEC for custom assembled control boxes.

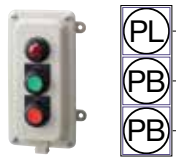
2 Control Units × 1 Column (without wiring) Standard Models

Pilot Light/Selector Switch

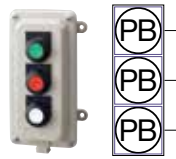
Shape/Symbol	Mounted Control Units		
	①	100/110V AC Illumination color: red	200/220V AC Illumination color: red
	②	Knob, 2-position, 1NO-1NC contact Maintained, Name plate OFF-ON	
Part No. (IECEX, ATEX, UKEX, Ex-CCC)	EC2B-2117BM3N□1-GL		EC2B-2117BM3N□2-GL
Part No. (UL/c-UL, IECEX, ATEX, UKEX)	EC2B-2117BN2N□1-U		EC2B-2117BN2N□2-U
Part No. (JPEX)	EC2B-2117BF2N□1		EC2B-2117BF2N□2

3 Control Units × 1 Column (without wiring) Standard Models

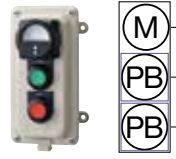
1 Pilot Light/2 Pushbuttons

Shape/Symbol	Mounted Control Units			
	①	100/110V AC Illumination color: red	200/220V AC Illumination color: red	24V AC/DC Illumination color: red
	②	Flush momentary 1NO contact, Nameplate ON Button color (supplied with black, green, red, and white buttons)	Flush momentary 1NO contact, Nameplate ON Button color (supplied with black, green, red, and white buttons)	Flush momentary 1NO contact, Nameplate ON Button color (supplied with black, green, red, and white buttons)
	③	Flush momentary 1NC contact, Nameplate OFF Button color (supplied with black, green, red, and white buttons)	Flush momentary 1NC contact, Nameplate OFF Button color (supplied with black, green, red, and white buttons)	Flush momentary 1NC contact, Nameplate OFF Button color (supplied with black, green, red, and white buttons)
Part No. (IECEX, ATEX, UKEX, Ex-CCC)	EC2B-3110BM3N□1-GL		EC2B-3110BM3N□2-GL	EC2B-3110BM3N□3-GL
Part No. (UL/c-UL, IECEX, ATEX, UKEX)	EC2B-3110BN2N□1-U		EC2B-3110BN2N□2-U	EC2B-3110BN2N□3-U
Part No. (JPEX)	EC2B-3110BF2N□1		EC2B-3110BF2N□2	EC2B-3110BF2N□3

3 Pushbuttons

Shape/Symbol	Mounted Control Units
	① Flush momentary 1NO-1NC contact, Blank nameplate Button color (supplied with black, green, red, and white buttons) ② ③
Part No. (IECEX, ATEX, UKEX, Ex-CCC)	EC2B-3102BM3N□1-GL
Part No. (UL/c-UL, IECEX, ATEX, UKEX)	EC2B-3102BN2N□1-U
Part No. (JPEX)	EC2B-3102BF2N□1

1 Meter/2 Pushbuttons

Shape/Symbol	Mounted Control Units
	① Specify input, capacity, and scale
	② Flush momentary 1NO-1NC contact, Nameplate ON Button color (supplied with black, green, red, and white buttons)
	③ Flush momentary 1NO-1NC contact, Nameplate OFF Button color (supplied with black, green, red, and white buttons)
Part No. (IECEX, ATEX, UKEX, Ex-CCC)	EC2B-3152BM3N□1△-GL
Part No. (UL/c-UL, IECEX, ATEX, UKEX)	EC2B-3152BN2N□1△-U

- Specify the capacity and scale of the meter in place of △ in the part no. See page 17 for details. Contact IDEC for custom assembled control boxes.
- JPEX certified products are also available.

- Specify terminal style code in place of in part no. C (exposed screw terminal), F (finger-safe screw terminal)
- Contact IDEC for custom assembled control boxes.

4 Control Units × 1 Column (without wiring) Standard Models

2 Pilot Lights/2 Pushbuttons

Shape/Symbol	Mounted Control Units			
	①	100/110V AC, Illumination color: red	200/220V AC, Illumination color: red	24V AC/DC, Illumination color: red
	②	100/110V AC, Illumination color: green	200/220V AC, Illumination color: green	24V AC/DC, Illumination color: green
	③	Flush momentary 1NO-1NC contact, Nameplate ON Button color (supplied with black, green, red, and white buttons)	Flush momentary 1NO-1NC contact, Nameplate ON Button color (supplied with black, green, red, and white buttons)	Flush momentary 1NO-1NC contact, Nameplate ON Button color (supplied with black, green, red, and white buttons)
	④	Flush momentary 1NO-1NC contact, Nameplate OFF Button color (supplied with black, green, red, and white buttons)	Flush momentary 1NO-1NC contact, Nameplate OFF Button color (supplied with black, green, red, and white buttons)	Flush momentary 1NO-1NC contact, Nameplate OFF Button color (supplied with black, green, red, and white buttons)
Part No. (IECEX, ATEX, UKEX, Ex-CCC)	EC2B-4110BM4N□1-GL	EC2B-4110BM4N□2-GL	EC2B-4110BM4N□3-GL	
Part No. (UL/c-UL, IECEx, ATEX, UKEX)	EC2B-4110BN3N□1-U	EC2B-4110BN3N□2-U	EC2B-4110BN3N□3-U	
Part No. (JPEX)	EC2B-4110BF3N□1	EC2B-4110BF3N□2	EC2B-4110BF3N□3	

1 Pilot Light/2 Pushbuttons/1 Selector Switch

Shape/Symbol	Mounted Control Units			
	①	100/110V AC, Illumination color: red	200/220V AC, Illumination color: red	24V AC/DC, Illumination color: red
	②	Flush momentary 1NO-1NC contact, Nameplate ON Button color (supplied with black, green, red, and white buttons)	Flush momentary 1NO-1NC contact, Nameplate ON Button color (supplied with black, green, red, and white buttons)	Flush momentary 1NO-1NC contact, Nameplate ON Button color (supplied with black, green, red, and white buttons)
	③	Flush momentary 1NO-1NC contact, Nameplate OFF Button color (supplied with black, green, red, and white buttons)	Flush momentary 1NO-1NC contact, Nameplate OFF Button color (supplied with black, green, red, and white buttons)	Flush momentary 1NO-1NC contact, Nameplate OFF Button color (supplied with black, green, red, and white buttons)
	④	Knob, 2-position, maintained 1NO-1NC contact, Nameplate HAND-AUTO	 Knob, 2-position, maintained 1NO-1NC contact, Nameplate HAND-AUTO	 Knob, 2-position, maintained 1NO-1NC contact, Nameplate HAND-AUTO
Part No. (IECEX, ATEX, UKEX, Ex-CCC)	EC2B-4113BM4N□1-GL	EC2B-4113BM4N□2-GL	EC2B-4113BM4N□3-GL	
Part No. (UL/c-UL, IECEx, ATEX, UKEX)	EC2B-4113BN3N□1-U	EC2B-4113BN3N□2-U	EC2B-4113BN3N□3-U	
Part No. (JPEX)	EC2B-4113BF3N□1	EC2B-4113BF3N□2	EC2B-4113BF3N□3	

5 Control Units × 1 Column (without wiring) Standard Models

2 Pilot Lights/2 Pushbuttons/1 Selector Switch

Shape/Symbol	Mounted Control Units			
	①	100/110V AC, Illumination color: red	200/220V AC, Illumination color: red	24V AC/DC, Illumination color: red
	②	100/110V AC, Illumination color: green	200/220V AC, Illumination color: green	24V AC/DC, Illumination color: green
	③	Flush momentary 1NO-1NC contact, Nameplate ON Button color (supplied with black, green, red, and white buttons)	Flush momentary 1NO-1NC contact, Nameplate ON Button color (supplied with black, green, red, and white buttons)	Flush momentary 1NO-1NC contact, Nameplate ON Button color (supplied with black, green, red, and white buttons)
	④	Flush momentary 1NO-1NC contact, Nameplate OFF Button color (supplied with black, green, red, and white buttons)	Flush momentary 1NO-1NC contact, Nameplate OFF Button color (supplied with black, green, red, and white buttons)	Flush momentary 1NO-1NC contact, Nameplate OFF Button color (supplied with black, green, red, and white buttons)
	⑤	Knob, 2-position, Maintained, 1NO-1NC contact, Name plate HAND-AUTO	 Knob, 2-position, Maintained, 1NO-1NC contact Name plate HAND-AUTO	 Knob, 2-position, Maintained, 1NO-1NC contact Name plate HAND-AUTO
Part No. (IECEX, ATEX, UKEX, Ex-CCC)	EC2B-5113BM4N□1-GL	EC2B-5113BM4N□2-GL	EC2B-5113BM4N□3-GL	
Part No. (UL/c-UL, IECEx, ATEX, UKEX)	EC2B-5113BN3N□1-U	EC2B-5113BN3N□2-U	EC2B-5113BN3N□3-U	
Part No. (JPEX)	EC2B-5113BF3N□1	EC2B-5113BF3N□2	EC2B-5113BF3N□3	

- Specify terminal style code in place of in part no. C (exposed screw terminal), F (finger-safe screw terminal)
- Contact IDEC for custom assembled control boxes.

Cable Gland (not sold individually)

Wall Mount

Reducers

Reducers installed at the bottom of the control box are as follows:

- 1 column: 1 reducer
- 2 columns: 2 reducers
- 3 columns: 3 reducers
- 4 columns: 4 reducers

Material: brass (nickel-plated)



Cable Gland

(IECEx, ATEX, UKEX, Ex-CCC, JPEX, G only)

Used to lead in rubber and plastic cables.

Material: Brass (nickel-plated)



The following optional reducers can also be installed.

Control Box	Part No.	Thread Size	Symbol	Certification		
				IECEx ATEX UKEX Ex-CCC	UL c-UL	JPEX
1 column (1 to 3 control units)	EC9E-H31E	G1/2 (16)	F1	○	—	○
	EC9E-H32E	G3/4 (22)	F2	○	—	●
	EC9E-H33E	G1 (28)	F3	○	—	○
	EC9E-H3M16E-UL	M16	M1	○	○	○
	EC9E-H3M20E-UL	M20	M2	○	○	○
	2, 3 columns (2, 3 control units)	EC9E-H3M25E-UL	M25	M3	●	○
EC9E-H3M32E-UL		M32	M4	○	○	○
EC9E-H3NPT1E-UL		NPT 1/2	N1	○	○	○
EC9E-H3NPT2E-UL		NPT 3/4	N2	○	●	○
1, 2, 3 columns (4, 5 control units) 3, 4 columns (6 control units)	EC9E-H3NPT3E-UL	NPT 1	N3	○	○	○
	EC9E-H42E	G3/4 (22)	F2	○	—	○
	EC9E-H43E	G1 (28)	F3	○	—	●
	EC9E-H44E	G1 1/4 (36)	F4	○	—	○
	EC9E-H4M25E-UL	M25	M3	○	○	○
	EC9E-H4M32E-UL	M32	M4	●	○	○
	EC9E-H4M40E-UL	M40	M5	○	○	○
	EC9E-H4NPT2E-UL	NPT 3/4	N2	○	○	○
	EC9E-H4NPT3E-UL	NPT 1	N3	○	●	○
	EC9E-H4NPT4E-UL	NPT 1 1/4	N4	○	○	○

●: Standard reducer

○: Except for standard reducer

• The value in () is the nominal designation of the applicable conduit (JIS C 8305)

Pole Mount (IECEx, ATEX, UKEX, Ex-CCC, JPEX)

CableGland with Flameproof Packing

Only one cable can be lead in.

Three different packings are available for 1-, 2-, and 3-column.

Material: Brass (nickel-plated)

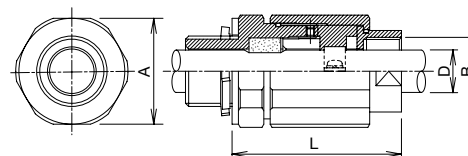


Cable gland fitting with flameproof packing	Applicable cable diameter D (mm)	Symbol	Dimensions (mm)		
			A	B	L
HPN21-R8E	$\phi 6 \leq D \leq \phi 8$	H1	36	G1/2 (16)	67 to 70.5
HPN21-R10E	$\phi 8 < D \leq \phi 10$	H2			
HPN21-R12E	$\phi 10 < D \leq \phi 12$	H3			
HPN22-R14E	$\phi 12 < D \leq \phi 14$	H4	40	G3/4 (22)	67 to 70.5
HPN22-R16E	$\phi 14 < D \leq \phi 16$	H5			
HPN33-R18E	$\phi 16 < D \leq \phi 18$	H6	50	G1 (28)	77.5 to 81
HPN33-R20E	$\phi 18 < D \leq \phi 20$	H7			
HPN44-R23E	$\phi 20 < D \leq \phi 23$	HA	58	G1 1/4 (36)	80.5 to 84
HPN44-R26E	$\phi 23 < D \leq \phi 26$	HB			

• HPN44 cannot be used for 1, 2, or 3 control units/1 column.

• The dimension of B in () is the nominal designation of the applicable conduit. (JIS C 8305)

• When ordering, specify the part number of cable gland with flameproof packing.



* For IECEx, ATEX, UKEX, Ex-CCC certified M thread and UL/c-UL certified NPT thread control boxes, use commercially available cable gland.

Box Style	Part No.	Packing	Cable Diameter D (mm)	Symbol
1 column	EC9E-S10E	R12	$\phi 8 \leq D \leq \phi 12$	SF
		R16	$\phi 12 < D \leq \phi 16$	
		R20	$\phi 16 < D \leq \phi 20$	
2, 3 column	EC9E-S20E	R18	$\phi 14 \leq D \leq \phi 18$	
		R22	$\phi 18 < D \leq \phi 22$	
		R26	$\phi 22 < D \leq \phi 26$	

Terminal Blocks

A terminal block is not supplied with the standard control boxes (without wiring). When wiring inside the control box is required, specify the wiring circuit.

The terminal block type used on the control boxes with wiring depends on the terminal style of the control unit.

C terminal style (exposed screw terminal)

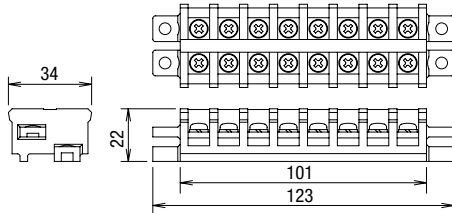
[Applicable terminal block]

Screw terminal: ET2A-8PE (material: polyamide)

Certification numbers:

IECEX TUR 15.0043U

TÜV 15 ATEX 7799U



All dimensions in mm.

F terminal style (finger-safe screw terminal)

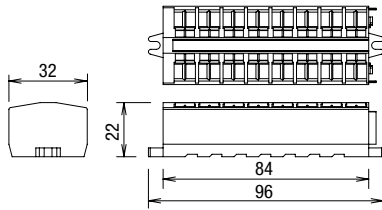
[Applicable terminal block]

IP20 clamp terminal: 264-238 (WAGO) (material: polyamide)

Certification numbers:

IECEX PTB 04.0003U

PTB 98 ATEX 3129U



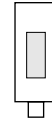
All dimensions in mm.

The number of terminal blocks, poles, and the installation direction that can be installed on the control box are as follows:

1-column 1, 2 units
(1 terminal block/
8 poles)



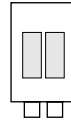
1-column 3 units
(1 terminal block/
8 poles)



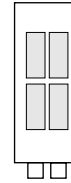
1-column 4, 5 units
(1 terminal block/
8 poles)



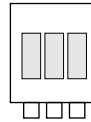
2-column 2, 3 units
(2 terminal blocks/
16 poles)



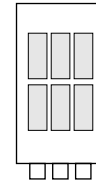
2-column 4, 5 units
(4 terminal blocks/
32 poles)



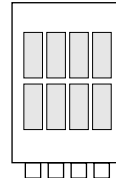
3-column 2, 3 units
(3 terminal blocks/
24 poles)



3-column 4, 5, 6 units
(6 terminal blocks/
48 poles)



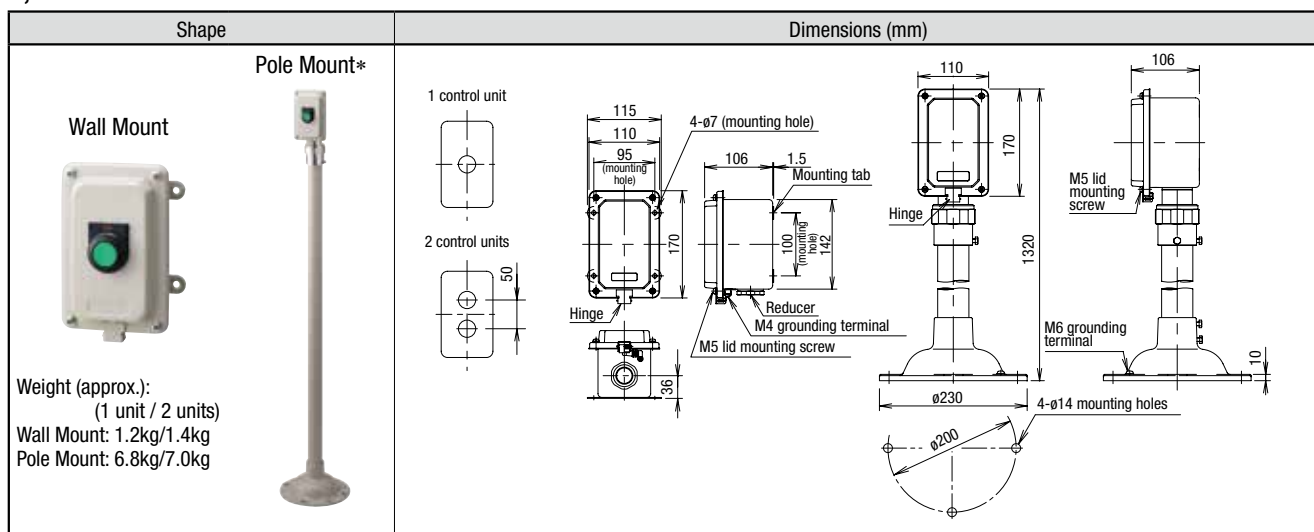
4-column 6 units
(8 terminal blocks/
64 poles)



Dimensions

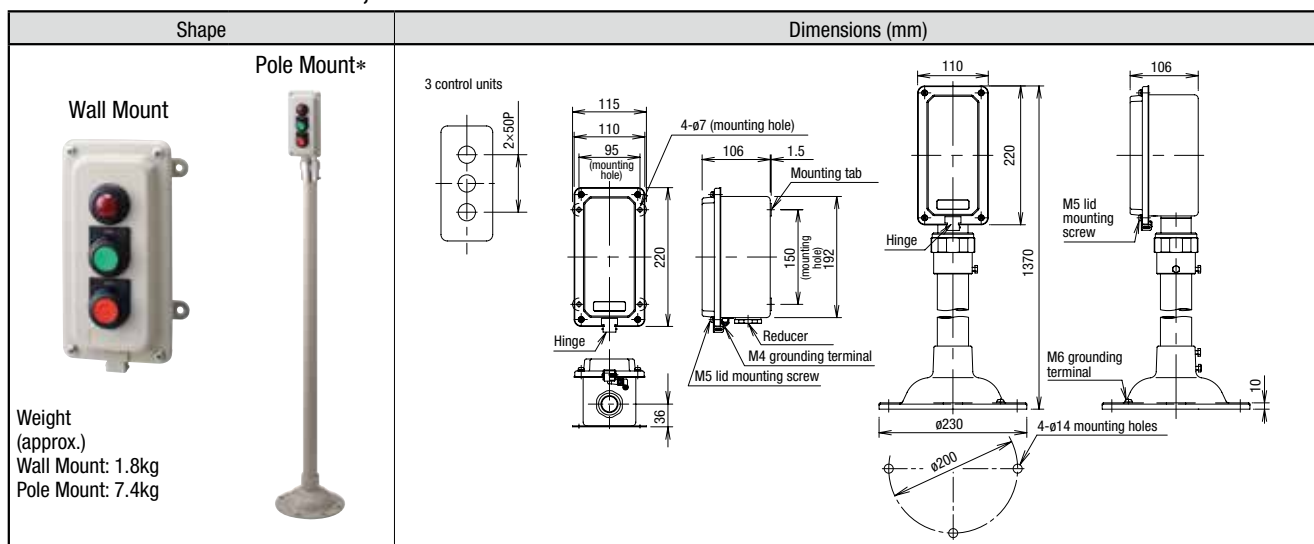
1, 2 Control Units × 1 Column

*Pole mount: UL/c-UL model only



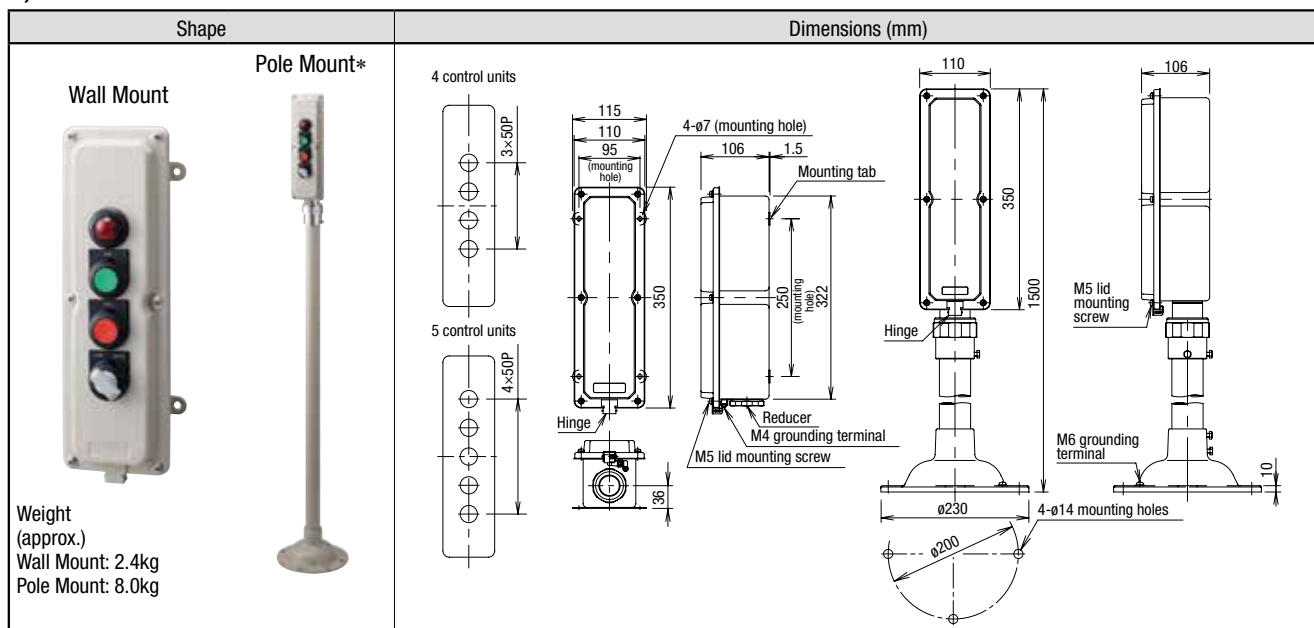
3 Control Units × 1 Column 1, 2 Control Units × 1 Column

*Pole mount: UL/c-UL model only



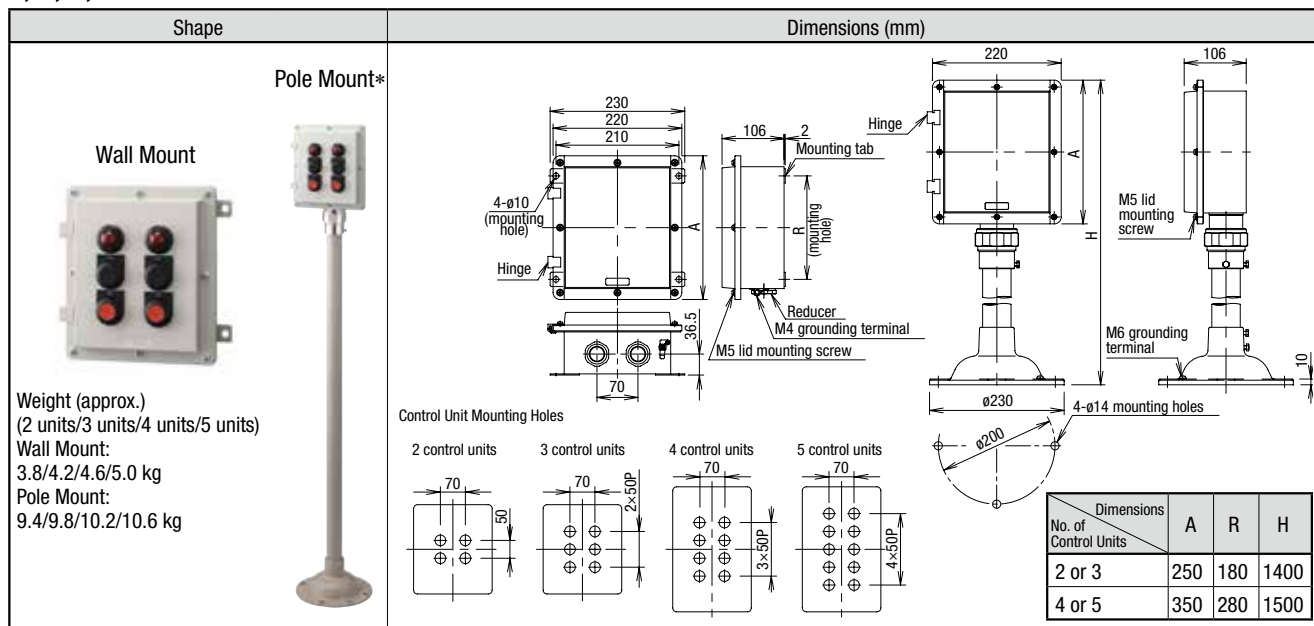
4, 5 Control Units × 1 Column

*Pole mount: UL/c-UL model only

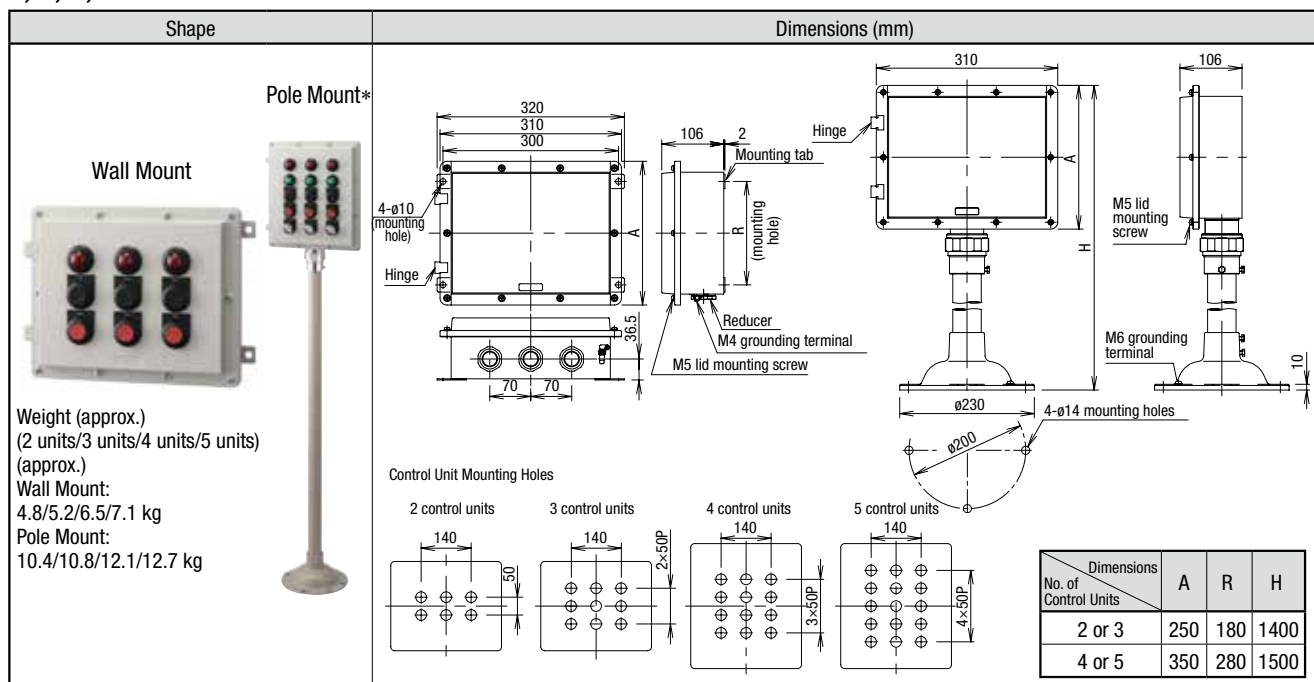


2, 3, 4, 5 Control Units × 2 Columns

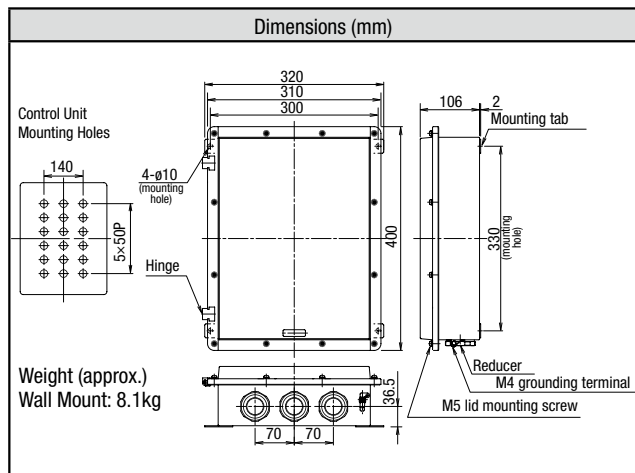
*Pole mount: UL/c-UL model only



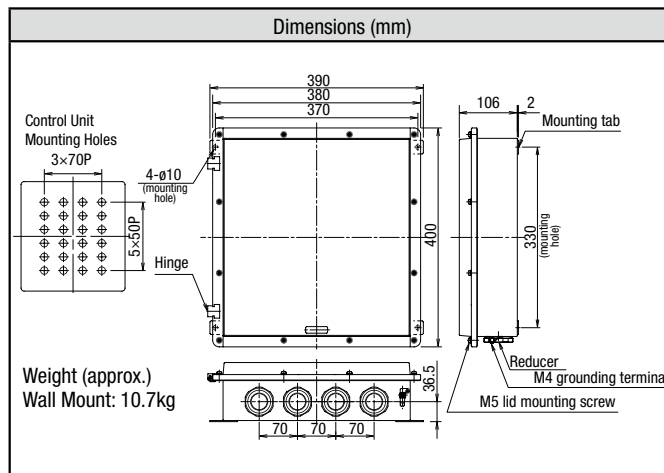
2, 3, 4, 5 Control Units × 3 Columns



6 Control Units × 3 Columns



6 Control Units × 4 Columns



Control Units

Applicable Standards

Control Units	Applicable Standards	Mark	Certification No.
Pushbuttons Selector Switches Key Selector Switches Pilot Lights Meters	GB/T 3836.1 GB/T 3836.2 GB/T 3836.3 GB/T 3836.31		Pilot light: 2021012304363041 Switch: 2021012304363046 Meter: 2021012309370228 Plug: 2021012313363039 Buzzer: 2023012309521114 Potentiometer: 2020322304000963 2020322313000987
	EN60947-5-1		EU Low Voltage Directive
	EN60079-0 EN60079-1 EN60079-7 EN60079-31		Pilot light: CML 22UKEX1358U CML 22UKEX3359U Buzzer: CML 22UKEX1361U Potentiometer: CML 17ATEX1119U CML 21UKEX3713U Others: CML 22UKEX1326U CML 22UKEX1327U
	UL60079-0 UL60079-1 UL60079-7		E347230
	CAN/CSA C22.2 No. 60079-0 CAN/CSA C22.2 No. 60079-1 CAN/CSA C22.2 No. 60079-7		
	EN60079-0 EN60079-1 EN60079-7 EN60079-31		Pilot light: CML 21ATEX11190U CML 21ATEX31294U Buzzer: CML 21ATEX11398U Potentiometer: CML 17ATEX1119U CML 13ATEX3010U Others: PTB 08ATEX1003U PTB 08ATEX1053U
IEC60079-0 IEC60079-1 IEC60079-7 IEC60079-31		Pilot light: IECEx CML21.0140U IECEx CML21.0150U Buzzer: IECEx CML 21.0165U Potentiometer: IECEx CML14.0005U IECEx CML 17.0057U Others: IECEx PTB15.0006U IECEx PTB15.0007U	
Emergency Stop Switches	EN60947-5-5		

Pilot Light Specifications

Rated Insulation Voltage (Ui)	500V
Rated Operating Voltage (Ue)	6, 12, 24, 100, 120V AC/DC 100/110, 115, 120, 200/220 230, 240, 380, 400/440, 480V AC
Impulse Withstand Voltage (Uimp)	4kV
Insulation Resistance	100 MΩ minimum (500V DC)
Frequency	50/60Hz
Power Consumption (approx.)	0.3W (24V AC/DC) 1.5W (100/110V AC)
Life (reference value)	Approx. 40,000 hours

- Because the built-in LED lamp is a high-luminance type, the lamp may light dimly due to induction even when the power is off.

Switch Specifications

Contact Resistance	50mΩ maximum (initial value)	
Impulse Withstand Voltage (Uimp)	6kV	
Insulation Resistance	100MΩ minimum (500V DC megger)	
Short-circuit Protection	250V/10A fuse (Type aM IEC60269-1/IEC60269-2)	
Conditional Short-circuit Current	1,000A	
Mechanical Life	Pushbutton	1,000,000 operations minimum
	Selector Switch	500,000 operations minimum
	Key Selector Switch	500,000 operations minimum
Electrical Life	Emergency Stop Switch	50,000 operations minimum
	Pushbutton	250,000 operations minimum (switching frequency 1800 operations/h)
	Selector Switch	250,000 operations minimum (switching frequency 900 operations/h)
	Key Selector Switch	250,000 operations minimum (switching frequency 900 operations/h)
Minimum Force Required for Direct Action	Emergency Stop Switch	60N
	Emergency Stop Switch	7.0mm
Minimum Operator Stroke Required for Direct Opening Action	Emergency Stop Switch	9.0mm
Maximum Operator Stroke	Emergency Stop Switch	9.0mm

- Contact bounce
Contacts will bounce during operation of pushbuttons and selector switches (reference value: 20 ms). Be sure to take contact bounce time into consideration when designing a control circuit.
- Replacing the control units, nameplates, padlock covers, and LED lamps by users affect the explosion-proof performance which is not guaranteed. Contact IDEC when replacement is necessary.

Contact Ratings

Rated Insulation Voltage (Ui)		600V				
Rated Thermal Current (Ith)		10A (*)				
Rated Operating Voltage (Ue)		24V	120V	240V	500V	
Rated Operating Current (Ie)	AC 50/60Hz	Resistive Load (AC12)	10A (*1)	10A (*1)	6A	2.8A
		Inductive Load (AC15)	10A (*1)	6A	3A	1.4A
	DC	Resistive Load (DC12)	8A	2.2A	1.1A	—
		Inductive Load (DC13)	4A	1.1A	0.55A	—

*1) Up to 2 contacts (per control unit): 10A
3 contacts (per control unit): 9A

- Minimum applicable load: 3V AC/DC, 5 mA
(Applicable operating locations may vary according to operating conditions and load types.)
- TÜV ratings (emergency stop switches)
AC-15 250V/3A
DC-13 125V/1.1A
- UL/c-UL ratings: 600V/10A

Buzzer Specifications

(IECEX, ATEX, UKEX, Ex-CCC, JPEX)

Rated Insulation Voltage (Ui)	250V
Rated Operation Voltage	100/110V AC, 200/220V AC (50/60Hz)
Time Rating	10 minutes
Sound Pressure (at 1m)	80dB minimum
Power	8VA maximum

- If the sound continues longer than the time rating, the internal parts may overheat and explosion-proof characteristics may be impaired.

Potentiometer Specifications

(IECEX, ATEX, UKEX, Ex-CCC, JPEX)

Rated Power	1W (at 40°C)
Resistance Range	1, 10kΩ Tolerance: ±10%, Characteristics: Linear
Insulation Resistance	100MΩ minimum (500V DC meggar)

- To maintain stable performance for a long period of time, use only up to about 50% of the rated power capacity.
- Only spade terminals can be used as crimping terminals. Ring and fork terminals cannot be used.
- For 2.5W rated power or 2, 3, 5kΩ resistance value, contact IDEC.

Meter Specifications

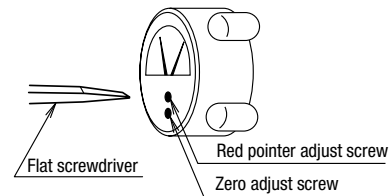
Accuracy Class		2.5 (JIS)
Insulation Resistance		100 MΩ minimum (500V DC megger)
AC Ammeter	Rated Insulation Voltage (Ui)	300V
	Operation	Moving core
	Impulse Withstand Voltage (Uimp)	4kV
	Power Consumption	1VA
	Measurement	5A, 10A, 30A, 50A, etc
	Input (CT Ratio)	1A, 5A
Extended Memory		3 times, etc
DC Ammeter	Rated Insulation Voltage (Ui)	150V
	Operation	Moving coil
	Impulse Withstand Voltage (Uimp)	2.5kV
	Input	0 to 10V DC, 4 to 20mA DC, etc
	Power Consumption (DC ammeter)	0.01W
	Power Consumption (DC voltmeter)	1mA

- Use a commercially available CT (current transformer) for AC ammeters with consumption current of 10A minimum. Install the CT in a non-hazardous location.
- AC and DC ammeters other than listed above are also available upon request, such as extended scale or red pointer.

Pointer Zero Adjustment and Red Pointer Adjustment


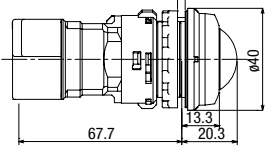
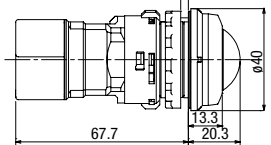
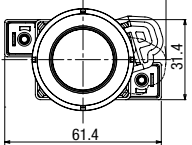
Using a flat screwdriver, turn the zero adjustment pointer screw and the red pointer screw (see below).

Zero adjustment is possible only on AC ammeters. On other meters such as DC voltmeters, DC ammeters, and tachometer, zero adjustment is not possible.




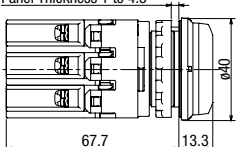
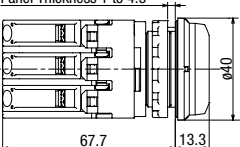
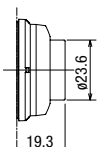
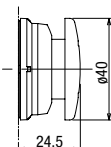
Control Units

Pilot Lights

Shape	Symbol	Contact Rating	Part No.		Illumination Color Code *	Weight (approx.)
			C terminal style: exposed screw terminal	F terminal style: finger-safe screw terminal		
	Ⓟ	100/110V AC 50/60Hz	EU2B-YL116CD*	EU2B-YL116FD*	R: red G: green A: amber Y: yellow S: blue PW: pure white	150g
		200/220V AC 50/60Hz	EU2B-YL126CD*	EU2B-YL126FD*		108g
		24V AC/DC	EU2B-YL122CD*	EU2B-YL122FD*		
Dimensions (mm) <div style="display: flex; justify-content: space-around;"> <div style="text-align: center;"> <p>C Terminal Style Panel Thickness 1 to 4.5</p>  </div> <div style="text-align: center;"> <p>F Terminal Style Panel Thickness 1 to 4.5</p>  </div> <div style="text-align: center;">  </div> </div> <p style="text-align: right;">All dimensions in mm.</p>						


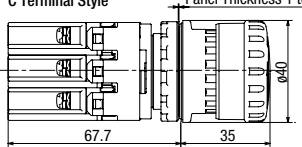
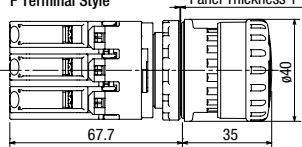
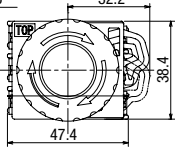
- Other voltages are available: 6V AC/DC, 12V AC/DC, 115V AC, 120V AC, 230V AC, 240V AC, 380V AC, 400/440V AC, 480V AC, 100/120V AC/DC. See page 18 for details.
- Because LED illuminated pilot lights have small input currents, they may light due to induction even when the power is off.
- Specify an illumination color code in place of * in the Part No.

Pushbuttons

Shape	Symbol	Operation	Operator	Contact Arrangement	Part No.		Button Color Code	Weight (approx.)
					C terminal style: exposed screw terminal	F terminal style: finger-safe screw terminal		
	Ⓟ	Momentary	Flush	1NO	EU2B-YB110C*-D	EU2B-YB110F*-D	Blank: supplied with four color buttons (B, G, R, W) Y: yellow S: blue	68g
				1NC	EU2B-YB101C*-D	EU2B-YB101F*-D		92g
				1NO-1NC	EU2B-YB111C*-D	EU2B-YB111F*-D		
			Extended	1NO	EU2B-YB210C*-D	EU2B-YB210F*-D	B: black G: green R: red W: white Y: yellow S: blue	70g
				1NC	EU2B-YB201C*-D	EU2B-YB201F*-D		94g
				1NO-1NC	EU2B-YB211C*-D	EU2B-YB211F*-D		
			Mushroom	1NO	EU2B-YB310C*-D	EU2B-YB310F*-D		76g
				1NC	EU2B-YB301C*-D	EU2B-YB301F*-D		101g
				1NO-1NC	EU2B-YB311C*-D	EU2B-YB311F*-D		
Dimensions (mm) <div style="display: flex; justify-content: space-around;"> <div style="text-align: center;"> <p>Flush (C Terminal Style) Panel Thickness 1 to 4.5</p>  </div> <div style="text-align: center;"> <p>Flush (F Terminal Style) Panel Thickness 1 to 4.5</p>  </div> <div style="text-align: center;"> <p>Extended</p>  </div> <div style="text-align: center;"> <p>Mushroom</p>  </div> </div> <p style="text-align: right;">All dimensions in mm.</p>								

- Other contact arrangements (2NO, 2NC, 1NO-2NC, 2NO-1NC, 3NO, 3NC) are also available. See page 18 details.
- Specify a button color code in place of * in the Part No.


Emergency Stop Switches

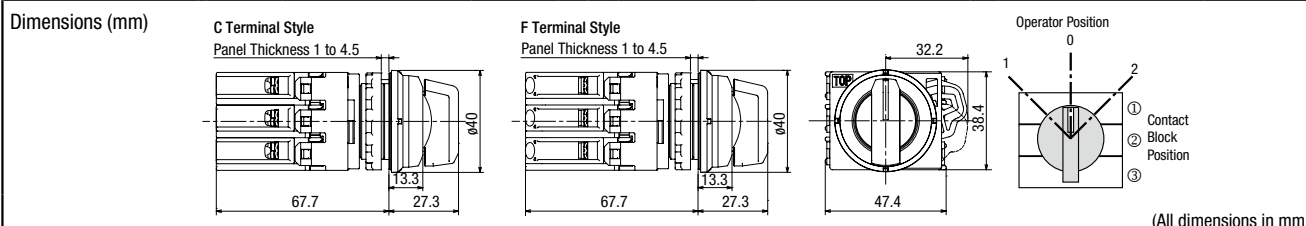
Shape	Symbol	Operation	Operator	Contact Arrangement	Part No.		Button color	Weight (approx.)
					C terminal style: exposed screw terminal	F terminal style: finger-safe screw terminal		
	Ⓞ	Push-to-lock or Turn-to-reset	ø40 Mushroom	2NC	EU2B-YBV302CR	EU2B-YBV302FR	Red	120g
				1NO-2NC	EU2B-YBV312CR	EU2B-YBV312FR		144g
				3NC	EU2B-YBV303CR	EU2B-YBV303FR		
Dimensions (mm) <div style="display: flex; justify-content: space-around;"> <div style="text-align: center;"> <p>C Terminal Style Panel Thickness 1 to 4.5</p>  </div> <div style="text-align: center;"> <p>F Terminal Style Panel Thickness 1 to 4.5</p>  </div> <div style="text-align: center;">  </div> </div> <p style="text-align: right;">All dimensions in mm.</p>								

- Other contact arrangements (1NC, 1NO-1NC) are also available. See page 18 for details.
- Emergency stop switches are only available with a red button.

Selector Switches

NC contact: direct opening action (IEC 60947-5-1 Annex K)


Shape	Symbol	No. of Positions	Contact Block		Operator Position		Operation	Part No.		Weight (approx.)	
			Mounting Position	Contact	1	2		C terminal style: exposed screw terminal	F terminal style: finger-safe screw terminal		
	ES	2-position 90°	①	NO		●	Maintained L R	EU2B-YS211C	EU2B-YS211F	98g	
			②	—							
			③	NC	●						
		3-position 45°	①	NO	●			Maintained L C R	EU2B-YS320C		EU2B-YS320F
			②	—							
			③	NO		●					

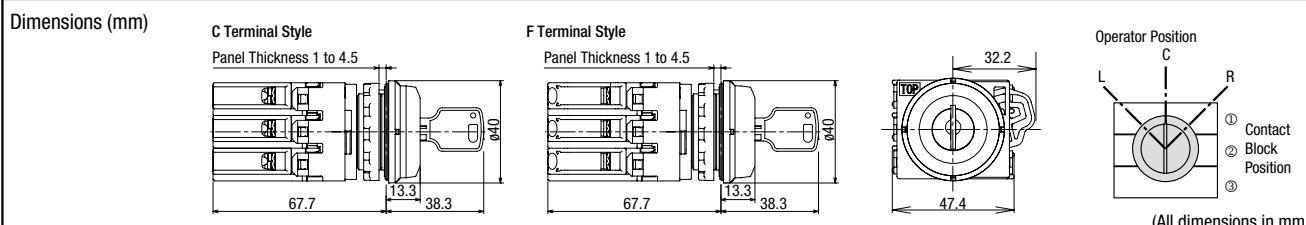


- Other contact arrangements (2NO, 2NC, 1NO-2NC, 2NO-1NC, 3NO, 3NC) and overlapping contacts are also available.
- Spring return from right, spring return from left, spring return two-way also available. See pages 19 to 20.

Key Selector Switches


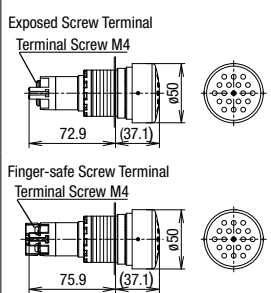
NC contact: direct opening action (IEC 60947-5-1 Annex K)

Shape	Symbol	No. of Positions	Contact Block		Operator Position		Operation	Part No.		Weight (approx.)	
			Mounting Position	Contact	1	2		C terminal style: exposed screw terminal	F terminal style: finger-safe screw terminal		
	ES	2-position 90°	①	NO		●	Maintained L R	EU2B-YSK211CA	EU2B-YSK211FA	120g	
			②	—							
			③	NC	●						
		3-position 45°	①	NO	●			Maintained L C R	EU2B-YSK320CA		EU2B-YSK320FA
			②	—							
			③	NC		●					





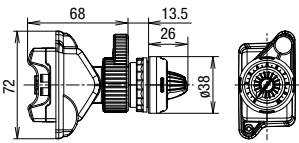
- Other contact arrangements (2NO, 2NC, 1NO-2NC, 2NO-1NC, 3NO, 3NC) and overlapping contacts are also available.
- Spring return from right, spring return from left, spring return two-way also available.
- On the spring-returned, the key can be released only from the maintained position. On the maintained, the key can be released from every position.
- Key retained position can be selected. See pages 19 to 20.
- Each key selector switch is supplied with two identical keys. Three different keys are also available.

Buzzer (IECEx, ATEX, UKEX, Ex-CCC, JPEX)

Shape	Symbol	Rated Power (50/60Hz)	Part No.		Sound Volume (at 1m)	Sound Duration	Power Consumption	Weight (approx.)	Dimensions
			Exposed Screw	Finger-safe					
	BZ	100/110V AC	EC9F-Z11N-E1	EC9F-Z11N-E1-F	80dB minimum	10 minutes (*1)	8VA maximum	0.4kg	
		200/220V AC	EC9F-Z12N-E1	EC9F-Z12N-E1-F					



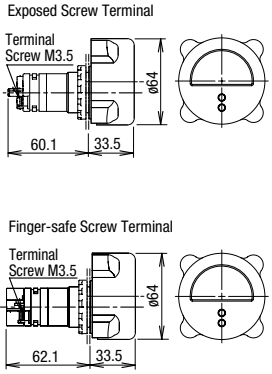
*1) Do not exceed the sound duration time, otherwise internal heating will result.

Potentiometers (IECEX, ATEX, UKEX, Ex-CCC, JPEX)

Shape	Symbol	Resistance Range	Part No.	Rated Power	Insulation Resistance	Weight (approx.)	Dimensions (mm)
		1, 10kΩ Tolerance±10% Characteristics: linear	ComExflex Potentiometer	1W (at 40°C)	100MΩ minimum (500V DC)	0.2kg	

- Specify resistance value when ordering.
- For 2.5W rated power or 2, 3, 5kΩ resistance value, contact IDEC.

Meters

Shape	Symbol	Input	Part No.	Specifications	Capacity/Scale Code	Weight (approx.)	Dimensions (mm)
		AC input meter (ammeter)	EU2B-YM53A5△	Capacity: 5A Expansion scale ×3	5A (3)	0.3kg	
			EU2B-YM53A10△	Capacity: 10/5A Expansion scale ×3	10/5A (3)		
			EU2B-YM13A10△	Capacity: 10/1A Expansion scale ×3	10/1A (3)		
			EU2B-YM53A15△	Capacity: 15/5A Expansion scale ×3	15/5A (3)		
			EU2B-YM13A15△	Capacity: 15/1A Expansion scale ×3	15/1A (3)		
			EU2B-YM13A20△	Capacity: 20/1A Expansion scale ×3	20/1A (3)		
			EU2B-YM53A30△	Capacity: 30/5A Expansion scale ×3	30/5A (3)		
			EU2B-YM13A30△	Capacity: 30/1A Expansion scale ×3	30/1A (3)		
			EU2B-YM53A50△	Capacity: 50/5A Expansion scale ×3	50/5A (3)		
			EU2B-YM53A60△	Capacity: 60/5A Expansion scale ×3	60/1A (3)		
			EU2B-YM53A75△	Capacity: 75/5A Expansion scale ×3	75/5A (3)		
			EU2B-YM53A100△	Capacity: 100/5A Expansion scale ×3	100/5A (3)		
			EU2B-YM53A150△	Capacity: 150/5A Expansion scale ×3	150/5A (3)		
		DC input meter	EU2B-YM010VD△-PER	0-10V DC input Scale: 0 to 100%	010VD-PER		
			EU2B-YM010VD△-60HZ	0-10V DC input Scale: 0 to 60Hz	010VD-60HZ		
			EU2B-YM001MD△-PER	0-1mA DC input Scale: 0 to 100%	001MD-PER		
			EU2B-YM001MD△-60HZ	0-1mA DC input Scale: 0 to 60Hz	001MD-60HZ		
			EU2B-YM001MD△-80HZ	0-1mA DC input Scale: 0 to 80Hz	001MD-80HZ		
			EU2B-YM420MD△-PER	4-20mA DC input Scale: 0 to 100%	420MD-PER		
			EU2B-YM420MD△-60HZ	4-20mA DC input Scale: 0 to 60Hz	420MD-60HZ		

- Specify a terminal style in place of △ in the Part No. C: exposed screw terminal, F: finger-safe screw terminal
- Use a commercially available CT (current transformer) for AC ammeters with consumption current of 10A minimum. Install the CT in a non-hazardous location.
- AC and DC ammeters other than listed above are also available upon request.

Available Control Units

Pilot Lights

Input	Rated Voltage	Part No.		Illumination Color Code *
		Exposed Screw Terminal	Finger-safe Screw Terminal	
AC	100/110V AC	EU2B-YL116CD*	EU2B-YL116FD*	R: red G: green A: amber Y: yellow S: blue PW: pure white
	115V AC	EU2B-YL1116CD*	EU2B-YL1116FD*	
	120V AC	EU2B-YL1126CD*	EU2B-YL1126FD*	
	200/220V AC	EU2B-YL126CD*	EU2B-YL126FD*	
	230V AC	EU2B-YL1236CD*	EU2B-YL1236FD*	
	240V AC	EU2B-YL1246CD*	EU2B-YL1246FD*	
	380V AC	EU2B-YL1386CD*	EU2B-YL1386FD*	
	400/440V AC	EU2B-YL146CD*	EU2B-YL146FD*	
480V AC	EU2B-YL1486CD*	EU2B-YL1486FD*		
AC/DC	6V AC/DC	EU2B-YL166CD*	EU2B-YL166FD*	
	12V AC/DC	EU2B-YL111CD*	EU2B-YL111FD*	
	24V AC/DC	EU2B-YL122CD*	EU2B-YL122FD*	
	100/120V AC/DC	EU2B-YL1110CD*	EU2B-YL1110FD*	

• Specify a color code in place of * in the Part No.

Pushbuttons

Operator	Operation	Contact Arrangement	Part No.		Button Color Code *
			Exposed Screw Terminal	Finger-safe Screw Terminal	
Flush	Momentary	1NO	EU2B-YB110C*D	EU2B-YB110F*D	Blank: supplied with B (black), G (green), R (red) and W (white) buttons. Y: yellow S: blue
		1NC	EU2B-YB101C*D	EU2B-YB101F*D	
		1NO-1NC	EU2B-YB111C*D	EU2B-YB111F*D	
		2NO	EU2B-YB120C*D	EU2B-YB120F*D	
		2NC	EU2B-YB102C*D	EU2B-YB102F*D	
		2NO-1NC	EU2B-YB121C*D	EU2B-YB121F*D	
		1NO-2NC	EU2B-YB112C*D	EU2B-YB112F*D	
		3NO	EU2B-YB130C*D	EU2B-YB130F*D	
3NC	EU2B-YB103C*D	EU2B-YB103F*D			
Extended	Momentary	1NO	EU2B-YB210C*D	EU2B-YB210F*D	
		1NC	EU2B-YB201C*D	EU2B-YB201F*D	
		1NO-1NC	EU2B-YB211C*D	EU2B-YB211F*D	
		2NO	EU2B-YB220C*D	EU2B-YB220F*D	
		2NC	EU2B-YB202C*D	EU2B-YB202F*D	
		2NO-1NC	EU2B-YB221C*D	EU2B-YB221F*D	
		1NO-2NC	EU2B-YB212C*D	EU2B-YB212F*D	
		3NO	EU2B-YB230C*D	EU2B-YB230F*D	
3NC	EU2B-YB203C*D	EU2B-YB203F*D			
ø40 Mushroom	Momentary	1NO	EU2B-YB310C*D	EU2B-YB310F*D	B: black G: green R: red W: white Y: yellow S: blue
		1NC	EU2B-YB301C*D	EU2B-YB301F*D	
		1NO-1NC	EU2B-YB311C*D	EU2B-YB311F*D	
		2NO	EU2B-YB320C*D	EU2B-YB320F*D	
		2NC	EU2B-YB302C*D	EU2B-YB302F*D	
		2NO-1NC	EU2B-YB321C*D	EU2B-YB321F*D	
		1NO-2NC	EU2B-YB312C*D	EU2B-YB312F*D	
		3NO	EU2B-YB330C*D	EU2B-YB330F*D	
3NC	EU2B-YB303C*D	EU2B-YB303F*D			

• Specify a color code in place of * in the Part No.

Emergency Stop Switches

Operator	Contact Arrangement	Part No.	
		Exposed Screw Terminal	Finger-safe Screw Terminal
ø40 Mushroom	1NC	EU2B-YBV301CR	EU2B-YBV301FR
	1NO-1NC	EU2B-YBV311CR	EU2B-YBV311FR
	2NC	EU2B-YBV302CR	EU2B-YBV302FR
	1NO-2NC	EU2B-YBV312CR	EU2B-YBV312FR
	3NC	EU2B-YBV303CR	EU2B-YBV303FR

• Emergency stop switches are only available with a red button.

Selector Switches (2-position)

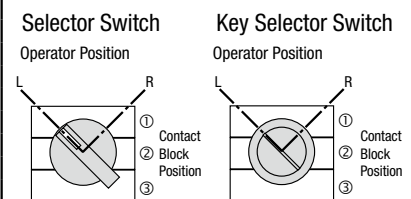
No. of Positions	Contact Block		Operator Position		Part No.				△: Terminal
	Mounting Position	Contact	L	R	Selector Switch		Key Selector Switch		
					Maintained (90°)	Spring return from right (60°)	Maintained (90°)	Spring return from right (60°)	
90° 2-position/60° 2-position	①	NO		●					
	②				EU2B-YS210△	EU2B-YS2110△	EU2B-YSK210△◇	EU2B-YSK2110△B	
	③								
	①								
	②				EU2B-YS201△	EU2B-YS2101△	EU2B-YSK201△◇	EU2B-YSK2101△B	
	③	NC	●						
	①	NO		●					
	②				EU2B-YS220△	EU2B-YS2120△	EU2B-YSK220△◇	EU2B-YSK2120△B	
	③	NO		●					
	①	NC	●						
	②				EU2B-YS202△	EU2B-YS2102△	EU2B-YSK202△◇	EU2B-YSK2102△B	
	③	NC	●						
	①	NO		●					
	②				EU2B-YS211△	EU2B-YS2111△	EU2B-YSK211△◇	EU2B-YSK2111△B	C: Exposed screw terminal
	③	NC	●						
	①	NO		●					
	②	NO		●	EU2B-YS230△	EU2B-YS2130△	EU2B-YSK230△◇	EU2B-YSK2130△B	F: Finger-safe screw terminal
	③	NO		●					
	①	NC	●						
	②	NC	●		EU2B-YS203△	EU2B-YS2103△	EU2B-YSK203△◇	EU2B-YSK2103△B	
	③	NC	●						
	①	NO		●					
	②	NO		●	EU2B-YS221△	EU2B-YS2121△	EU2B-YSK221△◇	EU2B-YSK2121△B	
	③	NC	●						
①	NO		●						
②	NC	●		EU2B-YS212△	EU2B-YS2112△	EU2B-YSK212△◇	EU2B-YSK2112△B		
③	NC	●							
①	NO		●						
②				EU2B-YS2R11△	—	EU2B-YSK2R11△◇	—		
③	NC	●							

- Specify a terminal style in place of △ in the Part No. C: exposed screw terminal, F: finger-safe screw terminal
- Specify a key removable position code in place of ◇ in the Part No. See below for details.

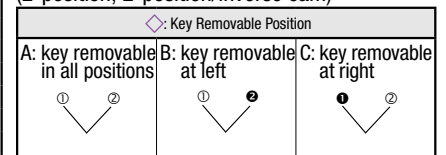
Selector Switches (2-position/inverse cam)

No. of Positions	Contact Block		Operator Position		Part No.		△: Terminal
	Mounting Position	Contact	L	R	Selector Switch	Key Selector Switch	
					Maintained (90°)	Maintained (90°)	
90° 2-position	①	NO	●				
	②				EU2B-YS2J10△	EU2B-YSK2J10△◇	
	③						
	①						
	②				EU2B-YS2J01△	EU2B-YSK2J01△◇	
	③	NC	●				
	①	NO	●				
	②				EU2B-YS2J20△	EU2B-YSK2J20△◇	
	③	NO	●				
	①	NC	●				
	②				EU2B-YS2J02△	EU2B-YSK2J02△◇	
	③	NC	●				
	①	NO	●				
	②				EU2B-YS2J11△	EU2B-YSK2J11△◇	
	③	NC	●				
	①	NO	●				
	②	NO	●		EU2B-YS2J30△	EU2B-YSK2J30△◇	
	③	NO	●				
	①	NC	●				
	②	NC	●		EU2B-YS2J03△	EU2B-YSK2J03△◇	
	③	NC	●				
	①	NO	●				
	②	NO	●		EU2B-YS2J21△	EU2B-YSK2J21△◇	
	③	NC	●				
①	NO	●					
②	NC	●		EU2B-YS2J12△	EU2B-YSK2J12△◇		
③	NC	●					

Positions (2-position, 2-position/inverse cam)



Key Removable Positions (2-position, 2-position/inverse cam)



- Specify a terminal style in place of △ in the Part No. C: exposed screw terminal, F: finger-safe screw terminal
- Specify a key removable position code in place of ◇ in the Part No. See the details at right.

①②: Key removable
●●: Key retained

Selector Switches (3-position)

No. of Positions	Contact Block		Operator Position		Part No.								
	Mounting Position	Contact	1	0	Selector Switch				Key Selector Switch				
					Maintained 	Spring return from right 	Spring return from left 	Spring return two way 	Maintained 	Spring return from right 	Spring return from left 	Spring return two way 	
3-position	①	NO	●		EU2B-YS320△	EU2B-YS3120△	EU2B-YS3220△	EU2B-YS3320△	EU2B-YSK320△◇	EU2B-YSK3120△◇	EU2B-YSK3220△◇	EU2B-YSK3320△◇	
	②			●									
	③	NO				EU2B-YS320N1△	EU2B-YS3120N1△	EU2B-YS3220N1△	EU2B-YS3320N1△	EU2B-YSK320N1△◇	EU2B-YSK3120N1△◇	EU2B-YSK3220N1△◇	EU2B-YSK3320N1△◇
	①	NO	●										
	②			●									
	③	NO			●								
	①	NC			●	EU2B-YS302△	EU2B-YS3102△	EU2B-YS3202△	EU2B-YS3302△	EU2B-YSK302△◇	EU2B-YSK3102△◇	EU2B-YSK3202△◇	EU2B-YSK3302△◇
	②				●								
	③	NC			●								
	①	NC		●		EU2B-YS302N1△	EU2B-YS3102N1△	EU2B-YS3202N1△	EU2B-YS3302N1△	EU2B-YSK302N1△◇	EU2B-YSK3102N1△◇	EU2B-YSK3202N1△◇	EU2B-YSK3302N1△◇
	②				●								
	③	NC			●								
	①	NO	●			EU2B-YS311△	EU2B-YS3111△	EU2B-YS3211△	EU2B-YS3311△	EU2B-YSK311△◇	EU2B-YSK3111△◇	EU2B-YSK3211△◇	EU2B-YSK3311△◇
	②				●								
	③	NC			●								
	①	NC			●	EU2B-YS311N1△	EU2B-YS3111N1△	EU2B-YS3211N1△	EU2B-YS3311N1△	EU2B-YSK311N1△◇	EU2B-YSK3111N1△◇	EU2B-YSK3211N1△◇	EU2B-YSK3311N1△◇
	②				●								
	③	NO			●								
	①	NO	●			EU2B-YS311N2△	EU2B-YS3111N2△	EU2B-YS3211N2△	EU2B-YS3311N2△	EU2B-YSK311N2△◇	EU2B-YSK3111N2△◇	EU2B-YSK3211N2△◇	EU2B-YSK3311N2△◇
	②				●								
	③	NC			●								
	①	NC			●	EU2B-YS311N3△	EU2B-YS3111N3△	EU2B-YS3211N3△	EU2B-YS3311N3△	EU2B-YSK311N3△◇	EU2B-YSK3111N3△◇	EU2B-YSK3211N3△◇	EU2B-YSK3311N3△◇
	②				●								
	③	NO			●								
	①	NO	●			EU2B-YS311N4△	EU2B-YS3111N4△	EU2B-YS3211N4△	EU2B-YS3311N4△	EU2B-YSK311N4△◇	EU2B-YSK3111N4△◇	EU2B-YSK3211N4△◇	EU2B-YSK3311N4△◇
	②				●								
	③	NC			●								
	①	NO	●			EU2B-YS330△	EU2B-YS3130△	EU2B-YS3230△	EU2B-YS3330△	EU2B-YSK330△◇	EU2B-YSK3130△◇	EU2B-YSK3230△◇	EU2B-YSK3330△◇
	②				●								
	③	NO			●								
①	NC			●	EU2B-YS303△	EU2B-YS3103△	EU2B-YS3203△	EU2B-YS3303△	EU2B-YSK303△◇	EU2B-YSK3103△◇	EU2B-YSK3203△◇	EU2B-YSK3303△◇	
②				●									
③	NC			●									
①	NO	●			EU2B-YS321N1△	EU2B-YS3121N1△	EU2B-YS3221N1△	EU2B-YS3321N1△	EU2B-YSK321N1△◇	EU2B-YSK3121N1△◇	EU2B-YSK3221N1△◇	EU2B-YSK3321N1△◇	
②				●									
③	NO			●									
①	NC			●	EU2B-YS312N1△	EU2B-YS3112N1△	EU2B-YS3212N1△	EU2B-YS3312N1△	EU2B-YSK312N1△◇	EU2B-YSK3112N1△◇	EU2B-YSK3212N1△◇	EU2B-YSK3312N1△◇	
②				●									
③	NC			●									

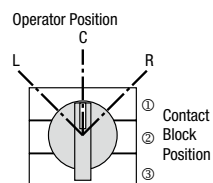
- Specify a terminal style in place of △ in the Part No. C: exposed screw terminal), F: finger-safe screw terminal
- Specify a key removable position code in place of ◇ in the Part No. See below for details.

Key Removable Positions (2-position)

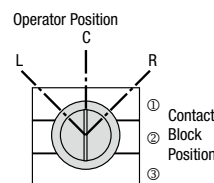
◇: Key Removable Position			
A: key removable in all positions 	B: key removable in right and center 	C: key removable at center and right 	D: key removable in center
E: key removable at left and right 	G: key removable at left and center 	H: key removable at right and center 	

Positions (3-position)

Selector Switch



Key Selector Switch


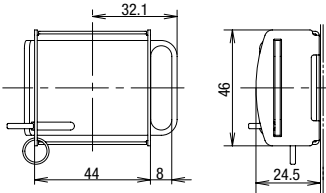


Spring return from right	Spring return from left	Spring return two-way


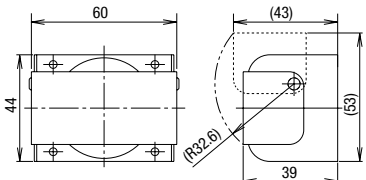
- ⊙ ① ②: Key removable
- ● ●: Key retained

Accessories


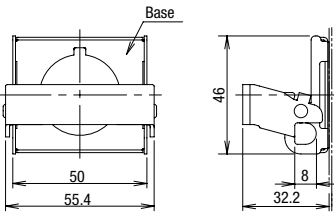
Plate Lock Padlock Cover

Shape	Part No.	Dimensions (mm)	Remarks
 Material: SUS304	EU9Z-PC		<ul style="list-style-type: none"> Used to lock the EU2B-YB2 extended pushbutton to maintain latched status. Used to protect the EU2B-YB1 flush pushbutton/EU2B-YSK key selector switch from inadvertent operation.


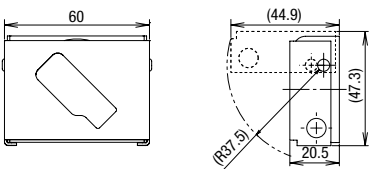

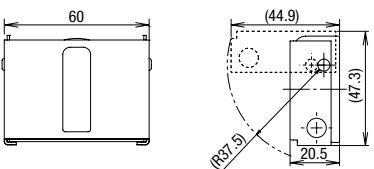

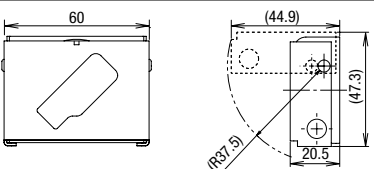
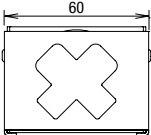
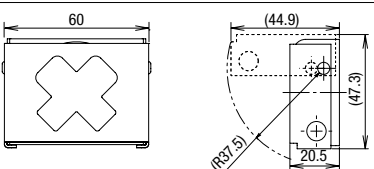
Pushbutton Cover

Shape	Part No.	Dimensions (mm)	Remarks
 Material: SUS304	EU9Z-BC		<ul style="list-style-type: none"> Used to protect the EU2B-YB pushbutton from inadvertent operation. Mounted by screwing on the control box and cannot be retrofit. Cannot be used for UL/c-UL certified model.

Emergency Stop Switch Padlock Cover

Shape	Part No.	Dimensions (mm)	Remarks
 Coating: yellow Material: SUS304	EU9Z-PCE		<ul style="list-style-type: none"> Used with EU2B-YBV emergency stop switch to maintain the switch in the latched status.

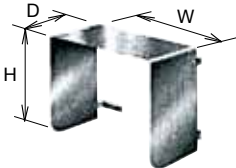
Selector Switch Padlock Cover

Shape	Part No.	Lock Position		Dimensions (mm)	Remarks
		2-position	3-position		
 EU9Z-PC21 Material: Stainless	EU9Z-PCS21	Left	Left		<ul style="list-style-type: none"> Used with EU2B-YS selector switch to maintain the switch in the selected lock status. Mounted by screwing on the control box and cannot be later. Cannot be used for UL/c-UL certified model.
	EU9Z-PCS30	—	Center		
	EU9Z-PCS22	Right	Right		
	EU9Z-PCS2X	Left Right	Left Right		

Pushbutton Rubber Boots

Shape	Part No.	Button Type	For use with nameplate	Rubber boot on pushbutton	Remarks
 Material: Silicone rubber	EU9Z-DB1	Flush	No	 Flush pushbutton	• Used to protect the button of flush/extended pushbuttons.
 Material: Silicone rubber	EU9Z-DB1N	Flush	Yes		
 Material: Silicone rubber	EU9Z-DB2	Extended	No	 Extended pushbutton	
 Material: Silicone rubber	EU9Z-DB2N	Extended	Yes		


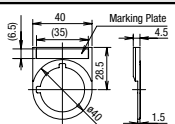
Control Box Shade

Shape	Part No.	Applicable Control Box	Dimensions (mm)		
			H	W	D
 Material: stainless steel Thickness: 1mm Photo: Part No. EC9Z-F2A52	EC9Z-F2A21M	EC2B-11 <input type="checkbox"/> B	180	160	160
		EC2B-21 <input type="checkbox"/> B			
	EC9Z-F2A31M	EC2B-31 <input type="checkbox"/> B	230	160	160
		EC2B-41 <input type="checkbox"/> B	360	160	160
	EC2B-51 <input type="checkbox"/> B				
	EC9Z-F2A32	EC2B-22 <input type="checkbox"/> B	260	420	160
		EC2B-32 <input type="checkbox"/> B			
	EC9Z-F2A52	EC2B-42 <input type="checkbox"/> B	360	420	160
		EC2B-52 <input type="checkbox"/> B			
	EC9Z-F2A33	EC2B-23 <input type="checkbox"/> B	260	510	160
		EC2B-33 <input type="checkbox"/> B			
	EC9Z-F2A53	EC2B-43 <input type="checkbox"/> B	360	510	160
EC2B-53 <input type="checkbox"/> B					
EC9Z-F2A63	EC2B-63 <input type="checkbox"/> B	410	510	160	
EC9Z-F2A64	EC2B-64 <input type="checkbox"/> B	410	580	160	







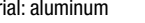
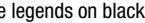
- Protects control units from direct sunlight and rain.
- The surface of the control box shade is uncoated.
- Can be installed by tightening to the mounting tabs on the control box.
- Control box shade cannot be installed later on pole mount models. Specify at time of order.

Nameplates

Control Unit Nameplates

Shape	Part No.	Dimensions (mm)	Remarks
	EU9Z-NM		<ul style="list-style-type: none"> Used for pilot light, pushbutton, selector switch, and key selector switch (only EU9Z-NP marking plates can be used on EU9Z-NM control unit nameplates).


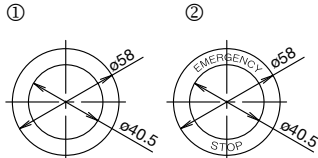

Marking Plates for Control Unit Nameplates

Shape	Legend	Part No.	Ordering No. (1 pc)	Ordering No. (1 pack / 10 pc)
	Blank	EU9Z-NP0	EU9Z-NP0	EU9Z-NP0PN10
	ON	EU9Z-NP1	EU9Z-NP1	EU9Z-NP1PN10
	OFF	EU9Z-NP2	EU9Z-NP2	EU9Z-NP2PN10
	START	EU9Z-NP3	EU9Z-NP3	EU9Z-NP3PN10
	STOP	EU9Z-NP4	EU9Z-NP4	EU9Z-NP4PN10
	OFF-ON	EU9Z-NP31	EU9Z-NP31	EU9Z-NP31PN10
	HAND-AUTO	EU9Z-NP35	EU9Z-NP35	EU9Z-NP35PN10
	HAND-OFF-AUTO	EU9Z-NP53	EU9Z-NP53	EU9Z-NP53PN10

Material: aluminum (35×6.5×1mm)
(White legends on black background)

• When other legends are needed, order blank nameplate and engrave.


Emergency Stop Switch Nameplate Sticker

Shape	Legend	Part No.	Dimensions (mm)
	Blank	EU9Z-NVS0	
	EMERGENCY STOP	EU9Z-NVS27	

Material: synthetic paper
Background: yellow
Legend: black


Maintenance Parts

Lens

Shape	Color	Part No.	Ordering No. (Package quantity :1)	Ordering No. (Package quantity :10)
	Red	EU9Z-LNR	EU9Z-LNR	EU9Z-LNRPN
	Green	EU9Z-LNG	EU9Z-LNG	EU9Z-LNGPN
	Amber	EU9Z-LNA	EU9Z-LNA	EU9Z-LNAPN
	Yellow	EU9Z-LNY	EU9Z-LNY	EU9Z-LNYPN
	Blue	EU9Z-LNS	EU9Z-LNS	EU9Z-LNSPN
	White	EU9Z-LNW (*)	EU9Z-LNW	EU9Z-LNWPN


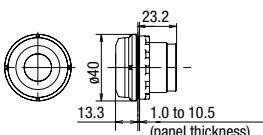
* Used for W (white) and PW (pure white) illumination.

Buttons

Shape	Button Shape	Part No.	Button Color Code
	① Flush	HW1A-B1□	HW1A-B1□PN05
	② Extended	HW1A-B2□	HW1A-B2□PN05
	③ ø40 Mushroom	HW1A-B4□	HW1A-B4□PN05

Specify a color code in place of □ in the Ordering No.
B: black S: blue
G: green W: white
R: red Y: yellow

Control Unit Mounting Hole Plug

Shape	Part No.	Dimensions (mm)	Remarks
	EU9Z-BP		<ul style="list-style-type: none"> Used to plug unused mounting holes (ø30.5) on the mounting panel. Not mountable on 1 contact block models.

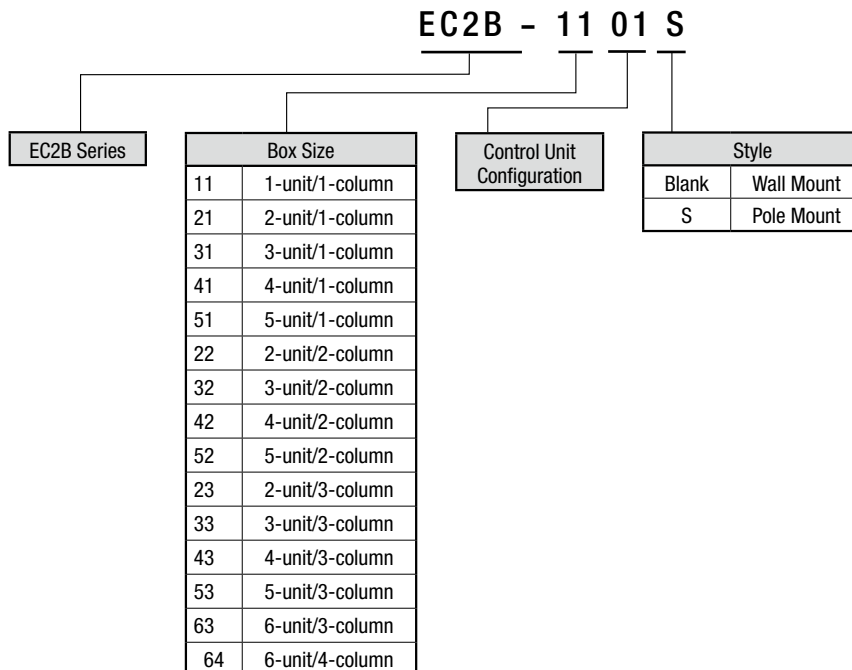
Product Configuration

Box Size	Control Unit Configuration	No. of Mountable Control Units								No. of Units
		PL	PB	ES	SS	BZ	VR	M	BP	
11	01	1	—	—	—	—	—	—	—	1
	02	—	1	1	—	—	—	—	—	
	06	—	—	—	1	—	—	—	—	
	Others	—	—	—	—	1	1	1	—	
21	02	—	2	2	—	—	—	—	1	2
	10	1	1	1	—	—	—	—	—	
	17	1	—	—	1	—	—	—	—	
	Others	2	1	1	2	1	1	1	1	
31	Others	3	3	3	3	1	1	1	2	3
41		4	4	4	4	1	1	1	3	4
51		5	5	5	5	1	1	1	4	5
22		4	4	4	4	2	2	2	3	4
32		6	6	6	6	2	2	2	5	6
42		8	8	8	8	2	2	2	7	8
52		10	10	10	10	2	2	2	9	10
23		6	6	6	6	3	3	3	5	6
33		9	9	9	9	3	3	3	8	9
43		12	12	12	12	3	3	3	11	12
53		15	15	15	15	3	3	3	14	15
63		18	18	18	18	3	3	3	17	18
64		24	24	24	24	4	4	4	23	24

PL: Pilot lights (EU2B-YL), PB: Pushbuttons (EU2B-YB), ES: Emergency stop switches (EU2B-YBV), SS: Selector switches (EU2B-YS), Key Selector Switches (EU2B-YSK), M: Meter KS (EC9F-M), BZ: Buzzer (EC9F-Z), VR: Potentiometer (ComExflex Potentiometer), BP: Control unit mounting hole plug (EU9Z-BP), —: not mountable

Part No. Development specified on Product Labels

These part numbers are marked on product labels, and not the ordering number.



Safety Precautions

- Use explosion-proof electrical equipment that are applicable for use in hazardous areas (potentially explosive atmosphere where explosive gas or vapor may exist), otherwise explosion or fire hazard may result.
- EC2B control boxes can be installed only in zones 1 and 2. Do not use in zone 0. In North America, the EC2B can be installed in Division 2 areas, but cannot be installed in Division 1 areas.
- Turn power off to the EC2B control box before installation, removal, wiring, or maintenance, otherwise explosion, fire hazard, or electric shock may result.
- Special skills and knowledge of explosion protection, electric system installation, and relevant laws/regulations are required to transport, install, wire, operate, repair, and inspect the EC2B control box. People without such expertise must not use the EC2B control box, otherwise damage or accident may result.
- Do not modify the EC2B, otherwise damage or accident may result.
- Do not use a damaged EC2B control box, otherwise damage or accident may result.
- When connecting external devices, make sure that each cable is connected to the correct terminal, otherwise electric shock, fire hazard, or explosion may result.
- Use wires of a proper size to meet voltage and current requirements. Incorrect wiring may cause abnormal temperature rise and lead to fire hazard and explosion.
- Connect the grounding terminal to a proper ground, otherwise electric shock, fire hazard, or explosion may result.
- Do not sit on or hang from the EC2B control box, otherwise damage, personal injury, or accident may result.
- Do not open the lid of the EC2B control box when it is energized, otherwise electric shock, fire hazard, or explosion may result.
- Operate the EC2B control box at the rated current and voltage specified in this catalog, otherwise short-circuiting, fire hazard, or explosion may result.
- When measuring the insulation resistance of the EC2B control box, make sure that potentially explosive atmosphere of explosive gas or vapor does not exist in the vicinity, otherwise explosion may result. Also, do not touch the terminals without paying attention, otherwise electric shock will result.
- Do not place any obstacles in front of the nameplate.
- Do not remove the nameplate.
- When opening the lid for wiring, maintenance or inspection, make sure that substances such as dust, concrete powder, or metal powder do not enter inside the box, otherwise contact failure or insulation failure may result.
- Do not drop the EC2B control box during transportation.
- Be sure to open the carton the right way up, otherwise damage or personal injury may result.
- Check that the product is what you have ordered. Using an incorrect model might result in malfunction or accident.
- Stop operation immediately if abnormal operation occurs. Otherwise, a secondary accident may occur.
- The surface temperature of the EC2B control box may become extremely hot during operation. Before maintenance or inspection of the EC2B, be sure to wear gloves to prevent burning your hand.

Operating Instructions

Installation Area

- Do not install the EC2B control box in an environment where more than IP65 protection degree (more than Type 4X in North America) is required.
- Use the EC2B in an ambient temperature range of -20°C to +50°C. When using the EC2B in areas that may be higher than 50°C, install a shade (page 22) to the box so that the box temperature does not exceed 50°C. When the potentiometer is installed, use in an ambient temperature range of -20°C to +40°C. Make sure that the box temperature does not exceed +40°C.

Installation

- Wall mount
Use four M6 bolts for 1-column, four M8 bolts for 2- and 3-column, or other methods with equivalent strength to install the control box. Mounting tab thickness is 1.5mm for 1 column and 2mm for 2, 3, and 4 columns. (See dimensions).
- Pole mount
Use four M12 bolts or other methods with equivalent strength to install the control box. Use flat washers to prevent scratches on the pole base coating.
- If bolts become may loose due to vibration, use spring washers. If bolt corrosion is anticipated, use anti-corrosion bolts or other countermeasures.

Notes on Emergency Stop Switches

When using the emergency stop switches on safety-related parts of the control system, observe safety standards and regulations of the relevant country or region. Also be sure to perform a risk assessment before operation.

Opening/Closing the Lid

- Use a Philips screwdriver to loosen lid mounting screws. While holding the unhinged side, open the lid slowly without exerting excessive force on the hinge.
- Before closing the lid, make sure of the following:
 - No foreign substances are on the packing or joint surfaces.
 - No displacement of the waterproof packing.
 - Wires are not caught between the joint surfaces.
- Close the lid slowly and tighten the screws to a proper torque of 1.6 to 2.4 N·m.

Limitation of the Operating Current

- Major heat sources comes from the wiring which is connected to the control box. Therefore, not only the operating current but wiring conditions (size, no. of wires, no. of wire bundles) may cause temperature rise. When wiring, observe the following conditions.
 - Stranded wire: 1.5 to 2.5 mm² (UL/c-UL certified)
1.25 to 2.5 mm² (other)
 - Solid wire: ϕ 1.2 to ϕ 1.6 mm (AWG106-14)
 - Maximum no. of wires per bundle: 16
 - Maximum operating current: 10A
- When using the control box, use a heat resistant cable of 70°C minimum.
- Determine the operating current so that the total heat value of 1 wire bundle is below 300 [A² × wires]. Also, when calculating the heat value, take the current fluctuation (10%) into consideration.

Instructions

[Calculation example: EC2B-41□□B (8 circuit)]

- Apply 10A to 1 circuit, 1A to the remaining 7 circuits:
 $\{(10A \times 1.1)^2 \times 2 \text{ wires}\} + \{(1A \times 1.1)^2 \times 14 \text{ wires}\} \approx 259$ (can be used because < 300)
- Apply 10A to 1 circuit, 2A to the remaining 7 circuits:
 $\{(10A \times 1.1)^2 \times 2 \text{ wires}\} + \{(2A \times 1.1)^2 \times 14 \text{ wires}\} \approx 310$ (cannot be used because > 300)

- See the table below for the allowable operating current when applying current evenly to each control box.

Control Box Part No.	Max. No. of Circuits	Max No. of Wires per Bundle (*1)		Allowable Operating Current (reference) (*2)
		Without terminal blocks	With terminal blocks	
EC2B-11 □ □ B □	3	16 (16×1)	8 (8×1)	7A
EC2B-21 □ □ B □	6	16 (16×1)	8 (8×1)	5A
EC2B-31 □ □ B □	9	16 (16×1)	8 (8×1)	4A
EC2B-41 □ □ B □	12	16 (16×1)	16 (16×1)	3A
EC2B-51 □ □ B □	15	16 (16×1)	16 (16×1)	3A
EC2B-22 □ □ B □	12	32 (16×2)	16 (8×2)	5A
EC2B-32 □ □ B □	18	32 (16×2)	16 (8×2)	4A
EC2B-42 □ □ B □	24	32 (16×2)	32 (16×2)	3A
EC2B-52 □ □ B □	30	32 (16×2)	32 (16×2)	3A
EC2B-23 □ □ B □	18	48 (16×3)	24 (8×3)	5A
EC2B-33 □ □ B □	27	48 (16×3)	24 (8×3)	4A
EC2B-43 □ □ B □	36	48 (16×3)	48 (16×3)	3A
EC2B-53 □ □ B □	45	48 (16×3)	48 (16×3)	3A
EC2B-63 □ □ B □	54	48 (16×3)	48 (16×3)	3A
EC2B-64 □ □ B □	72	64 (16×4)	64 (16×4)	3A

*1: Make sure that the number of wires per bundle is a maximum of 16 by reducing the wiring or by jumper wiring. The maximum number of wires per bundle may need to be further reduced depending on the wire size, cable gland, or conduit size.

*2: The allowable current value (reference) when applying current evenly to all circuits of the maximum number of circuits.

Wiring Construction

- Observe the laws and regulations in each country concerning wiring construction.
- Use cable wiring or metal conduit wiring for installation in hazardous locations. If foreign objects or water may enter the box, install a sealing fitting near the cable entry of the box and seal the control box using a compound.
- Standard type control boxes do not contain a terminal block. Wire the control units directly.

Wiring

Applicable Wires

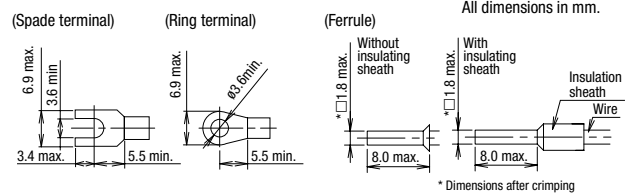
Stranded wire: 1.25 to 2.5 mm², solid wire: ø1.2 to ø1.6 mm (AWG16 -14)

- Do not connect more than 2 wires to the same terminal.

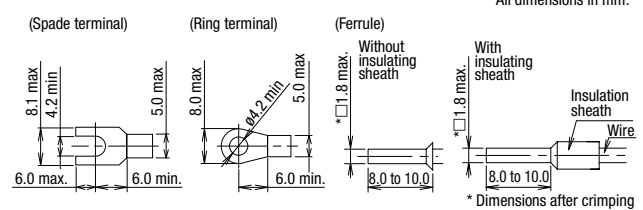
Applicable crimping terminal

- Ring terminals cannot be used for EU2B control units (IP20) and EC9F buzzers (IP20).
- Ring and spade terminals cannot be used for IP20 clamp type terminal blocks and potentiometers.
- When connecting 2 ferrules to EU2B control units (IP20) and EC9F buzzers (IP20), use ferrules without insulating sheath.

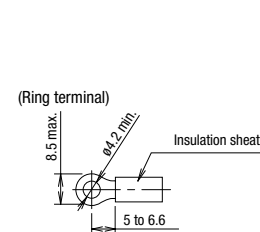
For control units EU2B



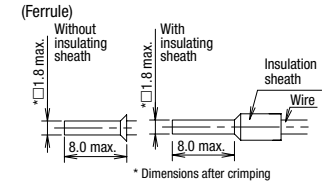
For control units EC9F



For screw terminal ET2A-8PE



For IP20 clamp terminal (WAGO: 264-238) For potentiometer (BARTEC: ComExFlex)



- Recommended crimping terminal (WAGO)
 Ferrule with insulating sheath: 216-204
 Ferrule without insulating sheath: 216-104
 Crimping plier: 206-204

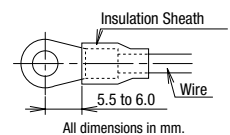
Recommended Tightening Torque

EU2B control unit (M3.5)
 ET2A-8PE screw terminal (M4)
 EC9F buzzer (M4) 1.0 to 1.3N·m
 Potentiometer (BARTEC) 0.4 to 0.7N·m

! Safety Precautions

Incorrect wiring may cause fire hazard. Observe the following conditions.

- Be sure to install an insulating sheath on the crimping terminal or the crimping terminal with insulation of EU2B control units and EC9F buzzer.
- When connecting solid wires or stranded wires directly, strip the insulation as mentioned below, and insert the wire all the way in.
 EU2B Control units: 8.6 mm maximum
 IP20 crimping terminal: 8 to 9 mm
- When using stranded wires, make sure that there are no loose wires.
- Make sure that the spade crimping terminals and ferrules are inserted all the way in.
- Use insulated ring terminals for the ET2A-8PE terminal block. Use only applicable crimping terminals and do not directly connect stranded wires or solid wires.



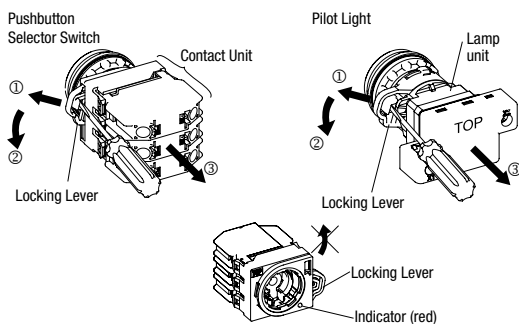
Removing and Installing the Contact Unit/Lamp Unit/Potentiometer Unit

Removing the Contact Unit/Lamp Unit

To remove the contact unit or the lamp unit from the operator, pull the protruding part of the locking lever outwards ① as shown in the figure below (using a screwdriver, etc.) and turn it to the left ②. The contact unit or lamp unit can be pulled out.

Emergency stop switch

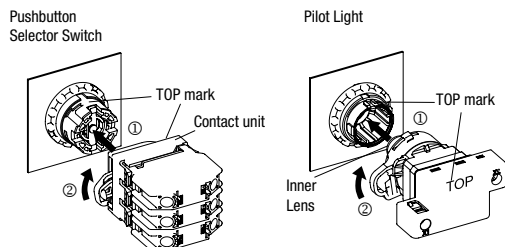
Note that when contact unit is detached from the operator part, the NO contact is closed and NC contact is open. Do not move the lock lever when the contact unit is detached (red indicator is protruded), otherwise the switch will be damaged.



Installing the Contact Unit/Lamp Unit

To install the contact unit, place the TOP marking on the operator and the TOP marking on the contact block adaptor in the same direction, and then attach the contact unit to the operator as shown in the figure below ①. Then turn the locking lever to the right ②. Follow the same procedure when installing the lamp unit.

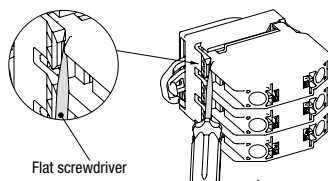
- When installing the lamp unit, check that the inner lens is not loose. Note that the contact units of the emergency stop switch and pushbutton/selector switch are not interchangeable.



Removing the Contact Block

To remove the contact block, insert a flat screwdriver under the latch of the contact block adaptor and disengage the latch as shown in the figure below.

- When installing the contact block after maintenance or wiring, make sure that the contact configuration is correct. Installing the contact block in an incorrect position or incomplete installation may cause malfunction of the switch.
- Make sure to remove the contact block from the operator before installing the contact block to the contact block adaptor. Also make sure that the contact block is correctly installed to the contact block adaptor before attaching the operator. Do not install the contact block adaptor with the operator attached. Otherwise, malfunction may result.

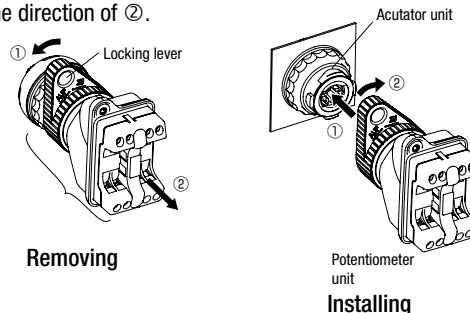


Removing the Potentiometer Unit

Turn the locking lever outwards as shown in the figure below and turn in the direction of ②.

Installing the Potentiometer Unit

Align the mounting direction with the actuator unit and insert in the direction of ① below. Next, install the potentiometer unit by turning in the direction of ②.



Protective Grounding

Protective grounding must be performed according to the installation environment and rating requirements. Observe laws and regulations set by each country.

- Connect the M4 grounding terminal of the EC2B control box to a proper ground (grounding resistance 10Ω maximum). When operating the EC2B control box by connecting to circuits of 300V or below, the grounding resistance must be 100Ω maximum.
- When using cables, connect one of the cable cores to the grounding terminal in the enclosure.
- If the grounding terminal in the enclosure cannot be used, use the M4 grounding terminal on the outside of the enclosure for wall mount, or the M6 grounding terminal of the pole base for pole mount.

Recommended tightening torque:

M4: 1.0 to 1.3 N·m

M6: 3.9 to 5.4 N·m

For grounding, use appropriate wires (size, material, insulation) that can tolerate the expected maximum grounding current. Be sure to protect the grounding wire with protection, such as metal conduit, from external damage.

Maintenance and Inspection

- Observe laws and regulations set by each country.
- Do not open the lid when inspecting the EC2B while it is energized.
- Never disassemble the control box.
- Do not use tools that cause sparks during maintenance and inspection.
- When using measuring devices, use explosion-protected types.
- When the EC2B needs to be disassembled or assembled for maintenance or repair, contact IDEC.

Disposal

Observe laws and regulations set by each country concerning refuse disposal.

To: IDEC Corporation

Date: _____

Company: _____

TEL: _____

No. of Control Box

Contact Person: _____

FAX: _____

Select the required specifications by checking the checkboxes (✓), and specify the details.

1. Certification

IECEx, ATEX, Ex-CCC

UL/c-UL, IECEx, ATEX

2. Control box size (wall mount only)

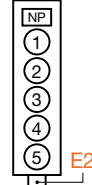
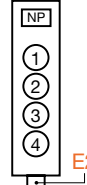
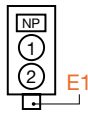
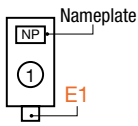
EC2B-110

EC2B-210

EC2B-310

EC2B-410

EC2B-510



3. Nameplate (NP)

Material: Acrylic (53 mm × 12 mm, plate thickness 2 mm)

Legend color: black letter, white background

Maximum no. of letters: 19 letters per line (up to 2 lines)

No Nameplate

1 line

2 lines

1st line	
2nd line	

4. Control Units

Position	Control Unit Part No.	Control Unit Nameplate				
①		<input type="checkbox"/> ON	<input type="checkbox"/> OFF	<input type="checkbox"/> START	<input type="checkbox"/> STOP	<input type="checkbox"/> EMERGENCY STOP
		<input type="checkbox"/> ON OFF	<input type="checkbox"/> HAND AUTO	<input type="checkbox"/> HAND OFF AUTO		
		<input type="checkbox"/> Blank	<input type="checkbox"/> No nameplate	<input type="checkbox"/> Specify letters ()		
②		<input type="checkbox"/> ON	<input type="checkbox"/> OFF	<input type="checkbox"/> START	<input type="checkbox"/> STOP	<input type="checkbox"/> EMERGENCY STOP
		<input type="checkbox"/> ON OFF	<input type="checkbox"/> HAND AUTO	<input type="checkbox"/> HAND OFF AUTO		
		<input type="checkbox"/> Blank	<input type="checkbox"/> No nameplate	<input type="checkbox"/> Specify letters ()		
③		<input type="checkbox"/> ON	<input type="checkbox"/> OFF	<input type="checkbox"/> START	<input type="checkbox"/> STOP	<input type="checkbox"/> EMERGENCY STOP
		<input type="checkbox"/> ON OFF	<input type="checkbox"/> HAND AUTO	<input type="checkbox"/> HAND OFF AUTO		
		<input type="checkbox"/> Blank	<input type="checkbox"/> No nameplate	<input type="checkbox"/> Specify letters ()		
④		<input type="checkbox"/> ON	<input type="checkbox"/> OFF	<input type="checkbox"/> START	<input type="checkbox"/> STOP	<input type="checkbox"/> EMERGENCY STOP
		<input type="checkbox"/> ON OFF	<input type="checkbox"/> HAND AUTO	<input type="checkbox"/> HAND OFF AUTO		
		<input type="checkbox"/> Blank	<input type="checkbox"/> No nameplate	<input type="checkbox"/> Specify letters ()		
⑤		<input type="checkbox"/> ON	<input type="checkbox"/> OFF	<input type="checkbox"/> START	<input type="checkbox"/> STOP	<input type="checkbox"/> EMERGENCY STOP
		<input type="checkbox"/> ON OFF	<input type="checkbox"/> HAND AUTO	<input type="checkbox"/> HAND OFF AUTO		
		<input type="checkbox"/> Blank	<input type="checkbox"/> No nameplate	<input type="checkbox"/> Specify letters ()		

5. Wall Mount Cable Gland (E1/E2)

	EC2B-110, 210, 310	EC2B-410, 510
IECEx, ATEX, UKEX, Ex-CCC	M25	M32
UL/c-UL, IECEx, ATEX	NPT 3/4	NPT 1

EC2B-110, 210, 310

Code	Cable lead-in method	Check	Specification
E1	Reducer (metal conduit) (*1)	<input type="checkbox"/>	M16
		<input type="checkbox"/>	M20
		<input type="checkbox"/>	M25
		<input type="checkbox"/>	M32
		<input type="checkbox"/>	NPT 1/2
		<input type="checkbox"/>	NPT 3/4
		<input type="checkbox"/>	NPT 1
		<input type="checkbox"/>	G1/2 (16)
		<input type="checkbox"/>	G3/4 (22)
		<input type="checkbox"/>	G1 (28)
E1	Cable gland (cable) (*2)	<input type="checkbox"/>	G1/2 (ø6 to ø8)
		<input type="checkbox"/>	G1/2 (ø8 to ø10)
		<input type="checkbox"/>	G1/2 (ø10 to ø12)
		<input type="checkbox"/>	G3/4 (ø12 to ø14)
		<input type="checkbox"/>	G3/4 (ø14 to ø16)
		<input type="checkbox"/>	G1 (ø16 to ø18)
<input type="checkbox"/>	G1 (ø18 to ø20)		

EC2B-410, 510

Code	Cable lead-in method	Check	Specification
E2	Reducer (metal conduit) (*1)	<input type="checkbox"/>	M25
		<input type="checkbox"/>	M32
		<input type="checkbox"/>	M40
		<input type="checkbox"/>	NPT 3/4
		<input type="checkbox"/>	NPT 1
		<input type="checkbox"/>	NPT 1 1/4
		<input type="checkbox"/>	G3/4 (22)
		<input type="checkbox"/>	G1 (28)
		<input type="checkbox"/>	G1 1/4 (36)
		E2	Cable gland (cable) (*2)
<input type="checkbox"/>	G3/4 (ø14 to ø16)		
<input type="checkbox"/>	G1 (ø16 to ø18)		
<input type="checkbox"/>	G1 (ø18 to ø20)		
<input type="checkbox"/>	G1-1/4 (ø20 to ø23)		
<input type="checkbox"/>	G1-1/4 (ø23 to ø26)		

*1) G thread is not UL/c-UL certified.

*2) Not UL/c-UL certified.

• Specify wiring diagram when wiring is required. • Specify when other accessories are required.

To: IDEC Corporation

Date: _____

Company: _____

TEL: _____

No. of Control Box

Contact Person: _____

FAX: _____

Select the required specifications by checking the checkboxes (✓), and specify the details.

1. Control box size (wall mount only)

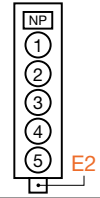
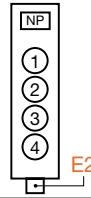
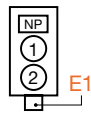
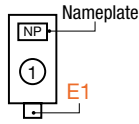
EC2B-110

EC2B-210

EC2B-310

EC2B-410

EC2B-510



2. Nameplate (NP)

Material: Acrylic (53 mm × 12 mm, plate thickness 2 mm)

Legend color: black letter, white background

Maximum no. of letters: 19 letters per line (up to 2 lines)

No Nameplate

1 line

2 lines

1st line	
2nd line	

3. Control Units

Position	Control Unit Part No.	Control Unit Nameplate
①		<input type="checkbox"/> ON <input type="checkbox"/> OFF <input type="checkbox"/> START <input type="checkbox"/> STOP <input type="checkbox"/> EMERGENCY STOP
		<input type="checkbox"/> ON OFF <input type="checkbox"/> HAND AUTO <input type="checkbox"/> HAND OFF AUTO
		<input type="checkbox"/> 起動 <input type="checkbox"/> 停止 <input type="checkbox"/> 非常停止 <input type="checkbox"/> 切入 <input type="checkbox"/> 手動 切 自動
		<input type="checkbox"/> Blank <input type="checkbox"/> No nameplate <input type="checkbox"/> Specify letters ()
②		<input type="checkbox"/> ON <input type="checkbox"/> OFF <input type="checkbox"/> START <input type="checkbox"/> STOP <input type="checkbox"/> EMERGENCY STOP
		<input type="checkbox"/> ON OFF <input type="checkbox"/> HAND AUTO <input type="checkbox"/> HAND OFF AUTO
		<input type="checkbox"/> 起動 <input type="checkbox"/> 停止 <input type="checkbox"/> 非常停止 <input type="checkbox"/> 切入 <input type="checkbox"/> 手動 切 自動
		<input type="checkbox"/> Blank <input type="checkbox"/> No nameplate <input type="checkbox"/> Specify letters ()
③		<input type="checkbox"/> ON <input type="checkbox"/> OFF <input type="checkbox"/> START <input type="checkbox"/> STOP <input type="checkbox"/> EMERGENCY STOP
		<input type="checkbox"/> ON OFF <input type="checkbox"/> HAND AUTO <input type="checkbox"/> HAND OFF AUTO
		<input type="checkbox"/> 起動 <input type="checkbox"/> 停止 <input type="checkbox"/> 非常停止 <input type="checkbox"/> 切入 <input type="checkbox"/> 手動 切 自動
		<input type="checkbox"/> Blank <input type="checkbox"/> No nameplate <input type="checkbox"/> Specify letters ()
④		<input type="checkbox"/> ON <input type="checkbox"/> OFF <input type="checkbox"/> START <input type="checkbox"/> STOP <input type="checkbox"/> EMERGENCY STOP
		<input type="checkbox"/> ON OFF <input type="checkbox"/> HAND AUTO <input type="checkbox"/> HAND OFF AUTO
		<input type="checkbox"/> 起動 <input type="checkbox"/> 停止 <input type="checkbox"/> 非常停止 <input type="checkbox"/> 切入 <input type="checkbox"/> 手動 切 自動
		<input type="checkbox"/> Blank <input type="checkbox"/> No nameplate <input type="checkbox"/> Specify letters ()
⑤		<input type="checkbox"/> ON <input type="checkbox"/> OFF <input type="checkbox"/> START <input type="checkbox"/> STOP <input type="checkbox"/> EMERGENCY STOP
		<input type="checkbox"/> ON OFF <input type="checkbox"/> HAND AUTO <input type="checkbox"/> HAND OFF AUTO
		<input type="checkbox"/> 起動 <input type="checkbox"/> 停止 <input type="checkbox"/> 非常停止 <input type="checkbox"/> 切入 <input type="checkbox"/> 手動 切 自動
		<input type="checkbox"/> Blank <input type="checkbox"/> No nameplate <input type="checkbox"/> Specify letters ()

4. Wall Mount Cable

Gland Fitting (E1/E2)

- G3/4 screw (22) reducer is used for EC2B-110, 210, 310.
- G1 screw (28) reducer is used for EC2B-410, 510.
- Standard reducer is used if unspecified.

EC2B-110, 210, 310

Code	Cable lead-in method	Check	Specification
	Reducer (metal conduit)	<input type="checkbox"/>	G1/2 (16)
		<input type="checkbox"/>	G3/4 (22)
		<input type="checkbox"/>	G1 (28)
E1	Cable gland (cable)	<input type="checkbox"/>	ø6 to ø8
		<input type="checkbox"/>	ø8 to ø10
		<input type="checkbox"/>	ø10 to ø12
		<input type="checkbox"/>	ø12 to ø14
		<input type="checkbox"/>	ø14 to ø16
		<input type="checkbox"/>	ø16 to ø18
		<input type="checkbox"/>	ø18 to ø20
		<input type="checkbox"/>	ø18 to ø20

EC2B-410, 510

Code	Cable lead-in method	Check	Specification
	Reducer (metal conduit)	<input type="checkbox"/>	G3/4 (22)
		<input type="checkbox"/>	G1 (28)
		<input type="checkbox"/>	G1 1/4 (36)
E2	Cable gland (cable)	<input type="checkbox"/>	ø12 to ø14
		<input type="checkbox"/>	ø14 to ø16
		<input type="checkbox"/>	ø16 to ø18
		<input type="checkbox"/>	ø18 to ø20
		<input type="checkbox"/>	ø20 to ø23
		<input type="checkbox"/>	ø23 to ø26
		<input type="checkbox"/>	ø23 to ø26

The values in () indicate the nominal sizes.

- Specify wiring diagram when wiring is required.
- Specify when other accessories are required.

Ordering Terms and Conditions

Thank you for using IDEC Products.

By purchasing products listed in our catalogs, datasheets, and the like (hereinafter referred to as "Catalogs") you agree to be bound by these terms and conditions. Please read and agree to the terms and conditions before placing your order.

1. Notes on contents of Catalogs

- (1) Rated values, performance values, and specification values of IDEC products listed in this Catalog are values acquired under respective conditions in independent testing, and do not guarantee values gained in combined conditions.
Also, durability varies depending on the usage environment and usage conditions.
- (2) Reference data and reference values listed in Catalogs are for reference purposes only, and do not guarantee that the product will always operate appropriately in that range.
- (3) The specifications / appearance and accessories of IDEC products listed in Catalogs are subject to change or termination of sales without notice, for improvement or other reasons.
- (4) The content of Catalogs is subject to change without notice.

2. Note on applications

- (1) If using IDEC products in combination with other products, confirm the applicable laws / regulations and standards.
Also, confirm that IDEC products are compatible with your systems, machines, devices, and the like by using under the actual conditions. IDEC shall bear no liability whatsoever regarding the compatibility with IDEC products.
- (2) The usage examples and application examples listed in Catalogs are for reference purposes only. Therefore, when introducing a product, confirm the performance and safety of the instruments, devices, and the like before use. Furthermore, regarding these examples, IDEC does not grant license to use IDEC products to you, and IDEC offers no warranties regarding the ownership of intellectual property rights or non-infringement upon the intellectual property rights of third parties.
- (3) When using IDEC products, be cautious when implementing the following.
 - i. Use of IDEC products with sufficient allowance for rating and performance
 - ii. Safety design, including redundant design and malfunction prevention design that prevents other danger and damage even in the event that an IDEC product fails
 - iii. Wiring and installation that ensures the IDEC product used in your system, machine, device, or the like can perform and function according to its specifications
- (4) Continuing to use an IDEC product even after the performance has deteriorated can result in abnormal heat, smoke, fires, and the like due to insulation deterioration or the like. Perform periodic maintenance for IDEC products and the systems, machines, devices, and the like in which they are used.
- (5) IDEC products are developed and manufactured as general-purpose products for general industrial products. They are not intended for use in the following applications, and in the event that you use an IDEC product for these applications, unless otherwise agreed upon between you and IDEC, IDEC shall provide no guarantees whatsoever regarding IDEC products.
 - i. Use in applications that require a high degree of safety, including nuclear power control equipment, transportation equipment (railroads / airplanes / ships / vehicles / vehicle instruments, etc.), equipment for use in outer space, elevating equipment, medical instruments, safety devices, or any other equipment, instruments, or the like that could endanger life or human health
 - ii. Use in applications that require a high degree of reliability, such as provision systems for gas / waterworks / electricity, etc., systems that operate continuously for 24 hours, and settlement systems
 - iii. Use in applications where the product may be handled or used deviating from the specifications or conditions / environment listed in the Catalogs, such as equipment used outdoors or applications in environments subject to chemical pollution or electromagnetic interference
If you would like to use IDEC products in the above applications, be sure to consult with an IDEC sales representative.

3. Inspections

We ask that you implement inspections for IDEC products you purchase without delay, as well as thoroughly keep in mind management/maintenance regarding handling of the product before and during the inspection.

4. Warranty

- (1) Warranty period
The warranty period for IDEC products shall be one (1) year after purchase or delivery to the specified location. However, this shall not apply in cases where there is a different specification in the Catalogs or there is another agreement in place between you and IDEC.
- (2) Warranty scope
Should a failure occur in an IDEC product during the above warranty period for reasons attributable to IDEC, then IDEC shall replace or repair that product, free of charge, at the purchase location / delivery location of the product, or an IDEC service base. However, failures caused by the following reasons shall be deemed outside the scope of this warranty.
 - i. The product was handled or used deviating from the conditions / environment listed in the Catalogs
 - ii. The failure was caused by reasons other than an IDEC product
 - iii. Modification or repair was performed by a party other than IDEC
 - iv. The failure was caused by a software program of a party other than IDEC
 - v. The product was used outside of its original purpose
 - vi. Replacement of maintenance parts, installation of accessories, or the like was not performed properly in accordance with the user's manual and Catalogs
 - vii. The failure could not have been predicted with the scientific and technical standards at the time when the product was shipped from IDEC
 - viii. The failure was due to other causes not attributable to IDEC (including cases of force majeure such as natural disasters and other disasters)Furthermore, the warranty described here refers to a warranty on the IDEC product as a unit, and damages induced by the failure of an IDEC product are excluded from this warranty.

5. Limitation of liability

The warranty listed in this Agreement is the full and complete warranty for IDEC products, and IDEC shall bear no liability whatsoever regarding special damages, indirect damages, incidental damages, or passive damages that occurred due to an IDEC product.

6. Service scope

The prices of IDEC products do not include the cost of services, such as dispatching technicians. Therefore, separate fees are required in the following cases.

- (1) Instructions for installation / adjustment and accompaniment at test operation (including creating application software and testing operation, etc.)
- (2) Maintenance inspections, adjustments, and repairs
- (3) Technical instructions and technical training
- (4) Product tests or inspections specified by you

The above content assumes transactions and usage within your region. Please consult with an IDEC sales representative regarding transactions and usage outside of your region. Also, IDEC provides no guarantees whatsoever regarding IDEC products sold outside your region.

IDEC CORPORATION

Head Office 6-64, Nishi-Miyahara-2-Chome, Yodogawa-ku, Osaka 532-0004, Japan

USA IDEC Corporation
EMEA APEM SAS

Singapore IDEC Izumi Asia Pte. Ltd.
Thailand IDEC Asia (Thailand) Co., Ltd.
India IDEC Controls India Private Ltd.

China IDEC (Shanghai) Corporation
IDEC Izumi (H.K.) Co., Ltd.
Taiwan IDEC Taiwan Corporation

Japan IDEC Corporation

 www.idec.com

Specifications and other descriptions in this brochure are subject to change without notice.

2024 IDEC Corporation, All Rights Reserved.

